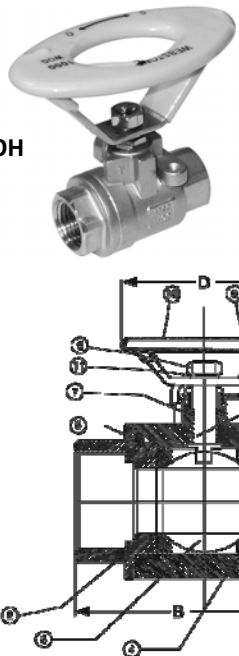
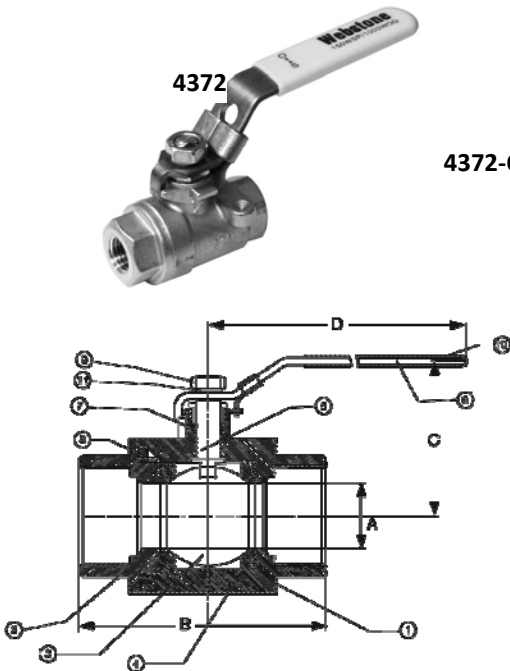


THIS SPACE FOR DESIGNER/ENGINEER APPROVAL

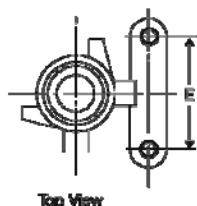
Job/Customer _____	Date _____	Contractor _____
Model Specified _____	Qty _____	Approved By _____
Designer/Engineer _____	Date _____	Contractor's PO# _____
Submitted By _____	Date _____	Other _____

4372 Series
Full Port 316 Stainless Steel Ball Valves
2 Piece Investment Cast w/ 304 Stainless Steel Handle
IPS
1000 WOG / 150 WSP
ISO 9001

ITEM #	SIZE	CTN	CASE	A	B	C	D	E	Cv
LOCKING HANDLE									
43720	1/4"	2	100	1/4	2 1/8	1 3/4	3 11/16	1 1/8	7.5
43721	3/8"	2	100	3/8	2 1/8	1 3/4	3 11/16	1 1/8	8.6
43722	1/2"	2	80	1/2	2 7/16	1 15/16	4 1/8	1 1/8	14.3
43723	3/4"	2	40	3/4	2 13/16	2 1/2	4 5/8	1 3/8	29.2
43724	1"	2	40	1	3 1/4	2 9/16	5 1/8	1 1/2	56.5
43725	1 1/4"	2	20	1 1/4	3 7/8	2 13/16	5 5/16	1 1/2	114.0
43726	1 1/2"	2	16	1 1/2	4 3/16	3 3/8	6 11/16	1 1/2	161.3
43727	2"	2	10	2	4 3/4	3 11/16	6 11/16	-	248.6
OVAL HANDLE									
43722-OH	1/2"	1	40	1/2	2 7/16	1 15/16	3 15/16	1 1/8	14.3
43723-OH	3/4"	1	30	3/4	2 13/16	2 1/2	5	1 3/8	29.2
43724-OH	1"	1	20	1	3 1/4	2 9/16	5	1 1/2	56.5



NO.	DESCRIPTION	MATERIAL
1	BODY	STAINLESS STEEL 316
2	END CAP	STAINLESS STEEL 316
3	BALL	STAINLESS STEEL 316
4	SEAT	PTFE + 15% G.F.
5	STEM	STAINLESS STEEL 316
6	HANDLE	STAINLESS STEEL 304
7	PACKING GLAND	PTFE
8	SEAL GASKET	PTFE
9	HANDLE NUT	STAINLESS STEEL 304
10	HANDLE JACKET	PLASTIC
11	THRUST WASHER	STAINLESS STEEL 304



TEMP °F	WOG
100	1000
150	1000
200	1000
250	1000
300	1000
350	930
366	930

Specifications: Designed for residential, commercial or industrial use with water, oil or gas. This approved Webstone valve is actuated by a blowout proof stem and features an adjustable packing gland. It features an actuator mount, ideal for use in applications where automating the valve's operation is desired (actuator not included). Threaded ends comply with ANSI B1.20.1.



Quality and Commitment Since 1954

Tel: (800) 225-9529 • Fax (800) 336-5133

Webstone product specifications in U.S. customary units are approximate and are provided for reference only. Webstone reserves the right to change or modify product design, construction, specifications or materials without prior notice and without incurring any obligation to make such changes and modifications on Webstone products previously or subsequently sold.