

**THIS SPACE FOR DESIGNER/ENGINEER APPROVAL**

Job/Customer _____	Date _____	Contractor _____
Model Specified _____	Qty _____	Approved By _____
Designer/Engineer _____	Date _____	Contractor's PO# _____
Submitted By _____	Date _____	Other _____

## 4370 Series

### Full Port 316 Stainless Steel Ball Valves

### 3 Piece Investment Cast w/ 304 Stainless Steel Locking Handle

IPS

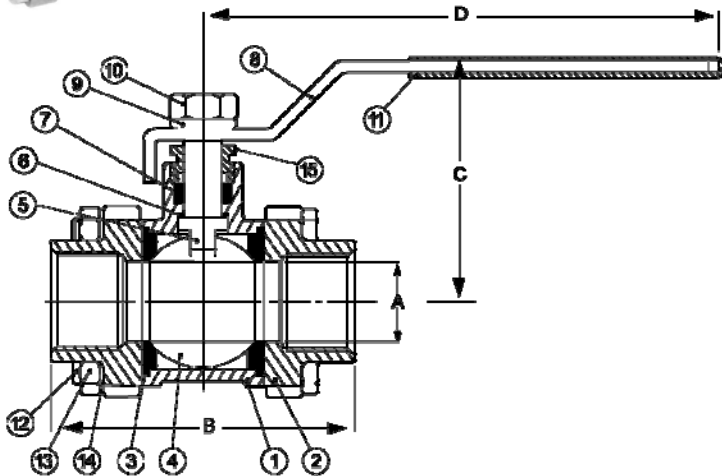
1000 WOG / 150 WSP

ISO 9001

ITEM #	SIZE	CTN	CASE	A	B	C	D	Cv
43702	1/2"	1	40	1/2	2 3/8	1 15/16	4 1/2	14.3
43703	3/4"	2	24	3/4	2 15/16	2 1/4	4 1/16	34.0
43704	1"	2	24	1	3 5/8	2 1/2	5	56.4
43705	1 1/4"	2	12	1 1/4	4	2 3/4	6	114.1
43706	1 1/2"	2	8	1 1/2	4 3/4	3 7/16	6 1/2	161.3
43707	2"	2	8	2	5 1/16	3 15/16	7 3/4	248.6



NO.	DESCRIPTION	MATERIAL
1	BODY	STAINLESS STEEL 316
2	END CAP	STAINLESS STEEL 316
3	SEAT	PTFE +15% G.F.
4	BALL	STAINLESS STEEL 316
5	STEM	STAINLESS STEEL 316
6	THRUST WASHER	PTFE +15% G.F.
7	STEM SEAL	PTFE +15% G.F.
8	LEVER HANDLE	STAINLESS STEEL 304
9	SPRING WASHER	STAINLESS STEEL 304
10	HANDLE NUT	STAINLESS STEEL 304
11	HANDLE JACKET	VINYL
12	BOLTS	STAINLESS STEEL 304
13	NUTS	STAINLESS STEEL 304
14	SPRING WASHERS	STAINLESS STEEL 304
15	PACKING GLAND	STAINLESS STEEL 304



TEMP °F	PSI
100	1000
150	1000
200	1000
250	1000
300	1000
350	930
366	930

**Specifications:** Designed for residential, commercial or industrial use with water, oil or gas. This approved Webstone valve is actuated by a blowout proof stem and features an adjustable packing gland. Threaded ends comply with ANSI B1.20.1.



Quality and Commitment Since 1954

www.webstonevalves.com

Tel: (800) 225-9529 • Fax (800) 336-5133

Webstone product specifications in U.S. customary units are approximate and are provided for reference only. Webstone reserves the right to change or modify product design, construction, specifications or materials without prior notice and without incurring any obligation to make such changes and modifications on Webstone products previously or subsequently sold.