

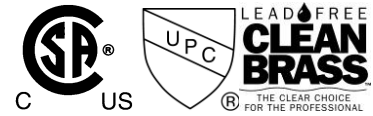
THIS SPACE FOR DESIGNER/ENGINEER APPROVAL

Job/Customer _____	Date _____	Contractor _____
Model Specified _____	Qty _____	Approved By _____
Designer/Engineer _____	Date _____	Contractor's PO# _____
Submitted By _____	Date _____	Other _____

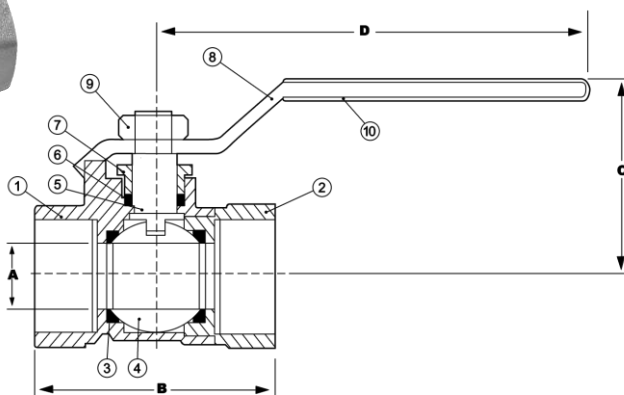
4182 Series
Standard Port Forged Brass Ball Valves
w/ Adjustable Packing Gland
IPS
600 WOG / 125 WSP
ISO 9001

Standard brass products are certified to
 NSF/ANSI 61

Lead free products are certified to
 NSF/ANSI 61-G



STANDARD BRASS ITEM #	LEAD FREE ITEM #	SIZE	CTN	CASE	A	B	C	D	Cv
41820	41820W	1/4"	10	120	1/4	1 11/16	1 1/2	3 3/8	7.5
41821	41821W	3/8"	10	120	3/8	1 11/16	1 1/2	3 3/8	7.7
41822	41822W	1/2"	10	120	1/2	1 15/16	1 5/8	3 3/8	7.9
41823	41823W	3/4"	10	80	3/4	2 1/4	1 3/4	3 3/8	14.2
41824	41824W	1"	6	48	1	2 5/8	2 1/16	4 3/4	32.3
41825	41825W	1 1/4"	4	32	1 1/4	3	2 1/4	4 3/4	59.8
41826	41826W	1 1/2"	2	24	1 1/2	3 1/2	2 3/4	5 1/4	118.7
41827	41827W	2"	2	16	2	3 7/8	2 7/8	5 1/4	158.9
41828	41828W	2 1/2"	2	4	2 1/2	4 5/8	4 1/2	9 1/2	186.1
41829	41829W	3"	1	3	3	5 5/8	5	9 1/2	342.3
41830	41830W	4"	1	2	4	6 3/4	5	9 1/2	511.1



NO.	DESCRIPTION	MATERIAL
1	BODY	BRASS
2	END CAP	BRASS
3	SEAT	PTFE
4	BALL	BRASS HCP
5	STEM	BRASS
6	STEM SEAL	PTFE
7	PACKING GLAND	BRASS
8	HANDLE	STEEL CP
9	HANDLE NUT	STEEL CP
10	HANDLE JACKET	VINYL

TEMP °F	PSI
100	400
150	327
200	313
250	293
300	274
350	196
366	N/A

Specifications: Designed for residential, commercial or industrial use with water, oil or gas. This approved Webstone valve is actuated by a blowout proof stem and features an adjustable packing gland. Threaded ends comply with ANSI B1.20.1. UPC Certification applies to 3/4" to 2" valves only.



Quality and Commitment Since 1954

www.webstonevalves.com · P: (800) 225-9529 · F: (800) 336-5133

Webstone product specifications in U.S. customary units are approximate and are provided for reference only. Webstone reserves the right to change or modify product design, construction, specifications or materials without prior notice and without incurring any obligation to make such changes and modifications on Webstone products previously or subsequently sold.

4182-4182Wspec_070913