

**THIS SPACE FOR DESIGNER/ENGINEER APPROVAL**

Job/Customer _____	Date _____	Contractor _____
Model Specified _____	Qty _____	Approved By _____
Designer/Engineer _____	Date _____	Contractor's PO# _____
Submitted by _____	Date _____	Other _____

# 4170 Series

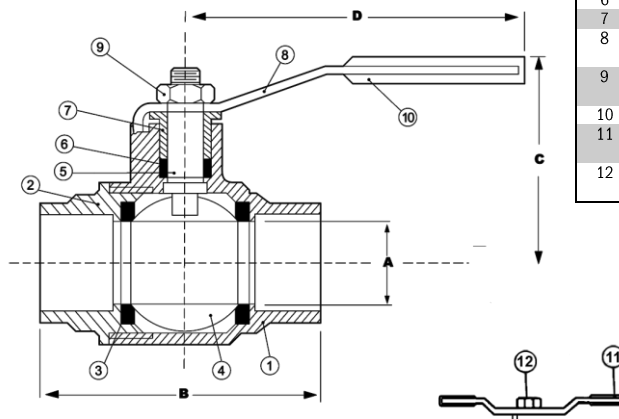
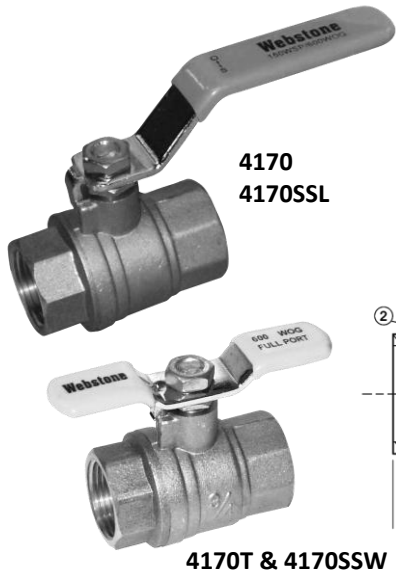
**Full Port Forged Brass Ball Valves  
w/ Adjustable Packing Gland  
IPS**

**600 WOG / 150 WSP (400 WOG for 2 1/2" - 4")  
ISO 9001**

1/4" - 2" Standard brass products are certified to NSF/ANSI 61  
1/4" - 2" Lead free products are certified to NSF/ANSI 61-G



Standard Brass Item#	Lead Free Item #	SIZE	CTN	CASE	A	B	C	D	Cv
<b>w/ CHROME PLATED LEVER HANDLE</b>									
41700	41700W	1/4	10	100	1/4	1 3/4	1 1/2	3 9/16	7.7
41701	41701w	3/8	10	100	3/8	1 3/4	1 11/16	3 9/16	7.7
41702	41702W	1/2	10	80	1/2	2 1/8	1 11/16	3 9/16	14.7
41703	41703w	3/4	10	60	3/4	2 3/8	2 1/16	3 13/16	28.4
41704	41704W	1	6	36	1	2 7/8	2 3/8	4 1/2	56.0
41705	41705W	1 1/4	6	24	1 1/4	3 5/16	2 5/8	4 1/2	113.2
41706	41706W	1 1/2	2	16	1 1/2	3 11/16	3 1/16	5 1/2	161.8
41707	41707W	2	2	12	2	4 1/8	3 11/16	5 1/2	243.8
41708	41708W	2 1/2	1	6	2 1/2	5 5/16	4 9/16	8 5/8	267.3
41709	41709W	3	1	4	3	5 7/8	4 13/16	8 5/8	412.7
41710	41710W	4	1	2	4	7 1/16	5 7/16	9 5/8	550.2
<b>w/ 304 STAINLESS STEEL HANDLE</b>									
41702SSL	41702WSSL	1/2	10	80	1/2	2 1/8	1 11/16	3 9/16	14.7
41703SSL	41703WSSL	3/4	10	60	3/4	2 1/4	2 1/16	3 13/16	28.4
41704SSL	41704WSSL	1	6	36	1	2 7/8	2 3/8	4 1/2	56.0
41705SSL	41705WSSL	1 1/4	6	24	1 1/4	3 2/8	2 5/8	4 1/2	113.2
41706SSL	41706WSSL	1 1/2	2	16	1 1/2	3 5/8	3 1/16	5 1/2	161.8
41707SSL	41707WSSL	2	2	12	2	4 1/8	3 11/16	5 1/2	243.8
<b>w/ WING STYLE "T" HANDLE*</b>									
41702T	41702WT	1/2	10	80	1/2	2 1/2	1 13/16	2	14.7
41703T	41703WT	3/4	10	60	3/4	2 1/2	2 3/16	2	28.4
41704T	41704WT	1	6	36	1	2 7/8	2 11/16	2	56.0
<b>w/ 304 STAINLESS STEEL WING STYLE "T" HANDLE</b>									
41702SSW	41702WSSW	1/2	10	80	1/2	2 1/2	1 13/16	2	14.7
41703SSW	41703WSSW	3/4	10	60	3/4	2 1/2	2 3/16	2	28.4
41704SSW	41704WSSW	1	6	36	1	2 7/8	2 11/16	2	56.0



NO.	DESCRIPTION	MATERIAL
1	BODY	BRASS
2	END CAP	BRASS
3	SEAT	PTFE
4	BALL	BRASS HCP
5	STEM	BRASS
6	STEM SEAL	PTFE
7	PACKING GLAND	BRASS
8	LEVER HANDLE	STEEL CP (FOR 4170) STAINLESS STEEL (FOR 4170SSL)
9	HANDLE NUT	STEEL CP (FOR 4170) STAINLESS STEEL (FOR 4170SSL)
10	HANDLE JACKET	VINYL
11	WING STYLE "T" HANDLE	STAINLESS STEEL (FOR 4170SSW) STEEL CP (FOR 4170T)
12	HANDLE NUT	STAINLESS STEEL (FOR 4170SSW) STEEL CP (FOR 4170T)

TEMP °F	1/4" - 2" PSI	2 1/2" - 4" PSI
100	600	400
150	490	327
200	479	313
250	470	293
300	411	274
350	294	196
366	N/A	N/A

**Specifications:** Designed for residential, commercial or industrial use with water, oil or gas. This approved Webstone valve is actuated by a blowout proof stem and features an adjustable packing gland. Threaded ends comply with ANSI B1.20.1. \*4170T valves are not manufactured in an ISO facility. CSA certification applies to valves 1/2" to 2".



Quality and Commitment Since 1954

www.webstonevalves.com P: (800) 225-9529 · F: (800) 336-5133

Webstone product specifications in U.S. customary units are approximate and are provided for reference only. Webstone reserves the right to change or modify product design, construction, specifications or materials without prior notice and without incurring any obligation to make such changes and modifications on Webstone products previously or subsequently sold.

4170-4170wspec\_122915