

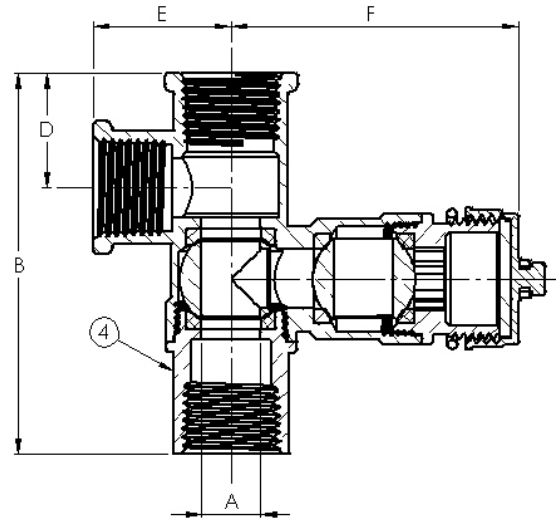
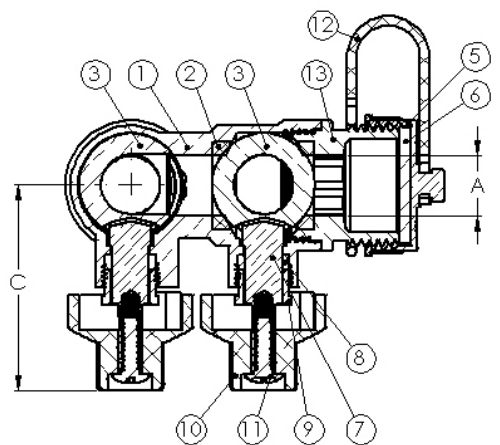


4167 Series

Pro-Pal Expansion Tank Pro Service Valve
 Full Port Forged Brass Ball Valve
 w/ Hi-Flow Hose Drain
 Max Operating Pressure: 600 CWP



NO.	DESCRIPTION	MATERIAL
1	Body	Brass
2	Seat	PTFE
3	Ball	Brass HCP
4	End Cap	Brass
5	Cap	Brass
6	Washer	EPDM
7	Stem	Brass
8	Stem Seal	PTFE
9	Packing Nut	Brass
10	Handle	Enamel Coated Aluminum
11	Handle Screw	Brass
12	Strap	EPDM
13	Drain End Cap	Brass



Designed for residential or light commercial use with water or oil. This approved Webstone valve allows for isolation and draining of an expansion tank in a closed loop hydronic heating system. It is actuated by a blowout proof stem and features an adjustable packing gland. Threaded ends comply with ANSI B1.20.1.

ITEM#	Connection Type	SIZE (in)	CTN	CASE	A	B	C	D	E	F
H-41672	FIP x MIP x FIP x Hose	1/2	1	30	0.50	3.38	1.56	1.13	1.19	2.38
H-44672	FIP x FIP x FIP x Hose	1/2	1	30	0.50	3.20	1.75	1.00	1.13	2.43