

**THIS SPACE FOR DESIGNER/ENGINEER APPROVAL**

Job/Customer _____	Date _____	Contractor _____
Model Specified _____	Qty _____	Approved By _____
Designer/Engineer _____	Date _____	Contractor's PO# _____
Submitted by _____	Date _____	Other _____

# 4140HV-RF Series

**Full Port Forged Brass Uni-Flange Ball Valves**

**w/ Detachable Rotating Round Flange**

**Adjustable Packing Gland, Nuts & Bolts**

**Fits High Efficiency Variable Speed Pumps**

**IPS x Rotating Flange**

**600 WOG**

**ISO 9001 - Patents Pending**



ITEM #	SIZE	CTN	CASE	A	B	C	D	E	F	G	H	I	J	K	L
41406HV-RF375	1 1/2	1	6	1 1/2	4	3 3/8	3 3/8	7/16	5/8	1 1/2	3 7/8	5	2 11/16	5/8	1/2-13 x 2 1/4
41407HV-RF400	2	1	6	2	4 3/8	3 1/2	3 3/8	1/2	9/16	2	4	5 1/4	-	-	1/2-13 x 2 1/4
41407HV-RF475	2	1	6	2	4 3/8	3 1/2	3 3/8	7/16	-	2	-	6 1/8	4	13/16	5/8-11 x 2 1/4



NO.	DESCRIPTION	MATERIAL
1	FLANGED BODY	BRASS
2	END CAP	BRASS
3	SEATS	PTFE
4	BALL	BRASS HCP
5	STEM	BRASS
6	STEM SEAL	PTFE
7	PACKING GLAND	BRASS
8	LEVER HANDLE	STEEL CP
9	HANDLE NUT	STAINLESS STEEL
10	HANDLE JACKET	VINYL
11	ROTATING FLANGE	DUCTILE IRON
12	ROTATING FLANGE RING	STAINLESS STEEL
13	FLANGE BOLTS & NUTS	STEEL ZP

TEMP °F	PSI
100	600
150	485
200	395
250	210
300	N/A
350	N/A
366	N/A



Quality and Commitment Since 1954

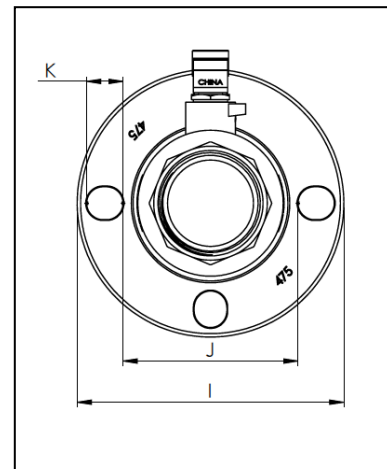
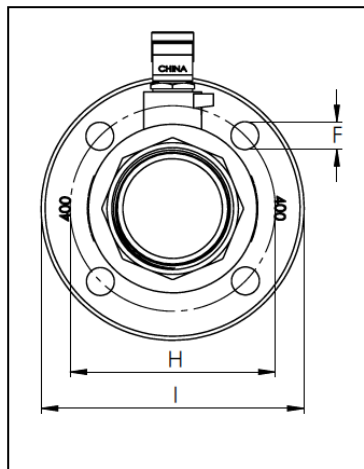
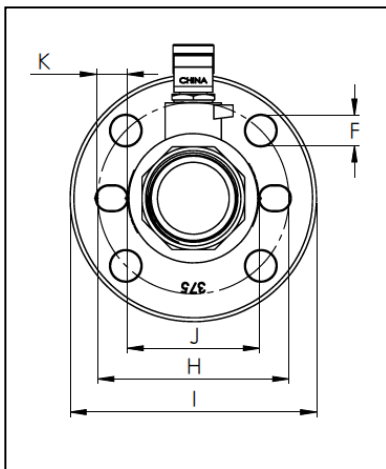
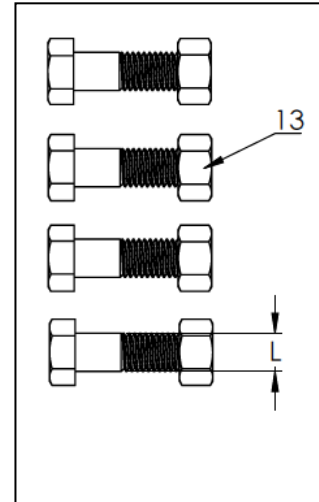
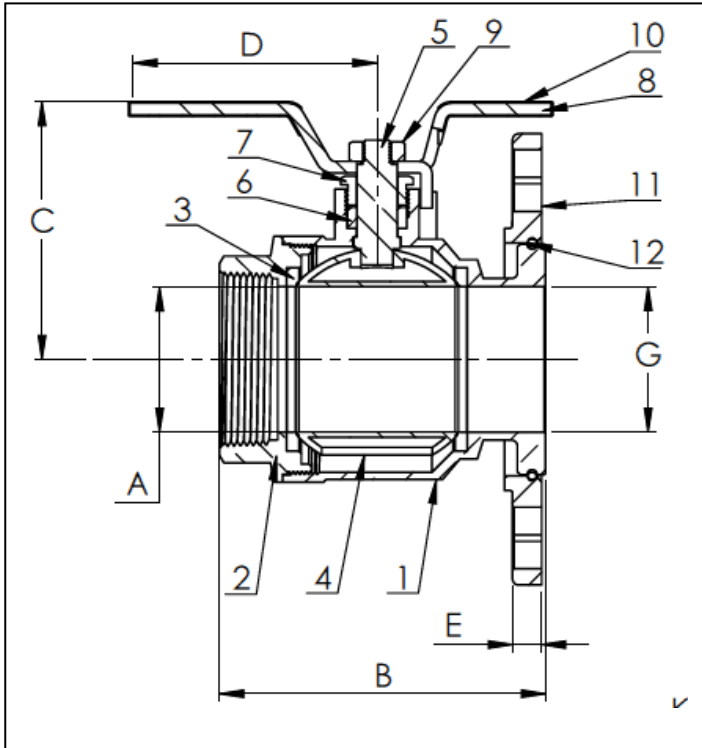
www.webstonevalves.com · P: (800) 225-9529 · F: (800) 336-5133

Webstone product specifications in U.S. customary units are approximate and are provided for reference only. Webstone reserves the right to change or modify product design, construction, specifications or materials without prior notice and without incurring any obligation to make such changes and modifications on Webstone products previously or subsequently sold.

4140HV-RF-spec\_03302016

**THIS SPACE FOR DESIGNER/ENGINEER APPROVAL**

Job/Customer _____	Date _____	Contractor _____
Model Specified _____	Qty _____	Approved By _____
Designer/Engineer _____	Date _____	Contractor's PO# _____
Submitted by _____	Date _____	Other _____



**Specifications:** Designed for residential, commercial or industrial use with water or a glycol mixture. This approved Webstone valve is actuated by a blowout proof stem and features an adjustable packing gland. Flange features a conical inlet to minimize turbulence. The rotating flange is secured by a snug-fit snap-ring that provides greater control over positioning during installation. Threaded ends comply with ANSI B1.20.1. HV models fit both standard and high velocity pumps.

**Webstone**  
VALVE INNOVATION

Quality and Commitment Since 1954

www.webstonevalves.com · P: (800) 225-9529 · F: (800) 336-5133

Webstone product specifications in U.S. customary units are approximate and are provided for reference only. Webstone reserves the right to change or modify product design, construction, specifications or materials without prior notice and without incurring any obligation to make such changes and modifications on Webstone products previously or subsequently sold.

4140HV-RF-spec\_03302016