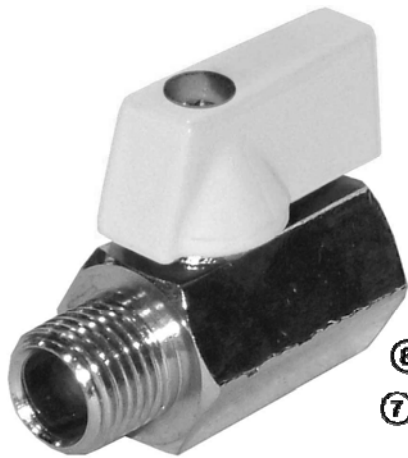


THIS SPACE FOR DESIGNER/ENGINEER APPROVAL

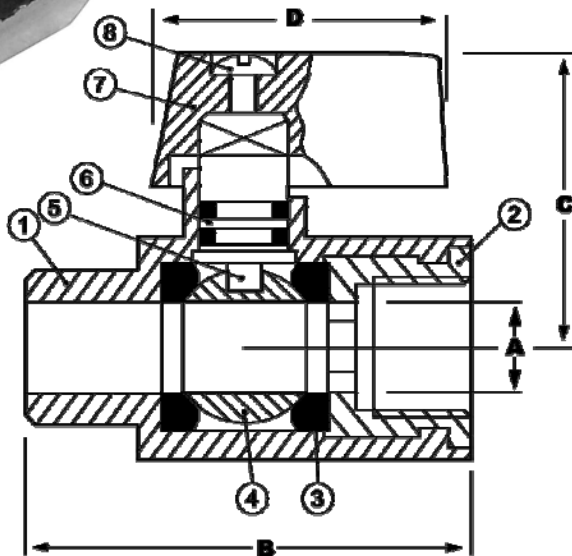
Job/Customer _____	Date _____	Contractor _____
Model Specified _____	Qty _____	Approved By _____
Designer/Engineer _____	Date _____	Contractor's PO# _____
Submitted By _____	Date _____	Other _____

4079M Series
Chrome Plated Extruded Brass Mini Ball Valves
Hex Body
MIP x FIP
110 WOG Non-Shock

ITEM #	SIZE	CTN	CASE	A	B	C	D
40790	1/8"	50	300	1/4	1 9/16	1 1/4	1 1/4
40791	1/4"	50	300	5/16	1 9/16	1 1/4	1 1/4
40792	3/8"	50	300	1/4	1 9/16	1 1/4	1 1/4
40798	1/2"	12	144	3/8	1 3/4	1 1/4	1 1/4



NO.	DESCRIPTION	MATERIAL
1	BODY	EXTRUDED BRASS BAR STOCK
2	CAP/BUSHING	BRASS
3	SEAT	PTFE
4	BALL	BRASS HCP
5	STEM	BRASS
6	O-RING	CR
7	HANDLE	ZINC W/ EPOXY COATING
8	HANDLE SCREW	BRASS



TEMP °F	PSI
100	200
150	163
200	157
250	146
300	137
350	98
366	N/A

Specifications: Designed for commercial or industrial use with water, oil or gas. This approved Webstone valve is actuated by a blowout proof stem. Threaded ends comply with ANSI B1.20.1



Quality and Commitment Since 1954

Tel: (800) 225-9529 • Fax (800) 336-5133

Webstone product specifications in U.S. customary units are approximate and are provided for reference only. Webstone reserves the right to change or modify product design, construction, specifications or materials without prior notice and without incurring any obligation to make such changes and modifications on Webstone products previously or subsequently sold.