

THIS SPACE FOR DESIGNER/ENGINEER APPROVAL

Job/Customer _____	Date _____	Contractor _____
Model Specified _____	Qty _____	Approved By _____
Designer/Engineer _____	Date _____	Contractor's PO# _____
Submitted By _____	Date _____	Other _____

4063 Series

Forged Brass Ball Valve

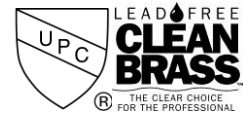
w/ Compression Ends & Adjustable Packing Gland

Compression x Compression

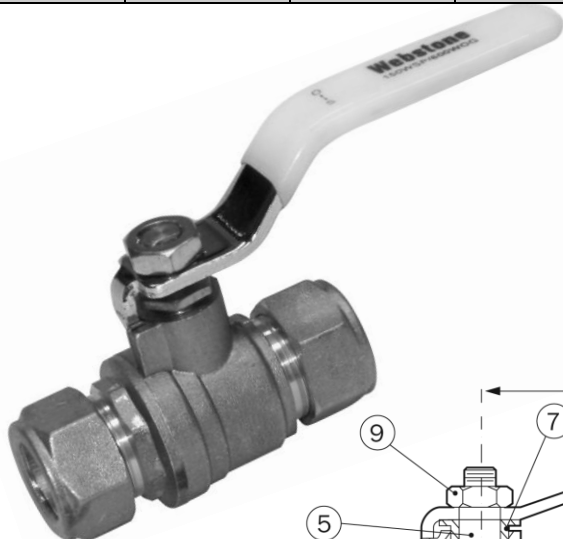
600 WOG / 150 WSP

ISO 9001

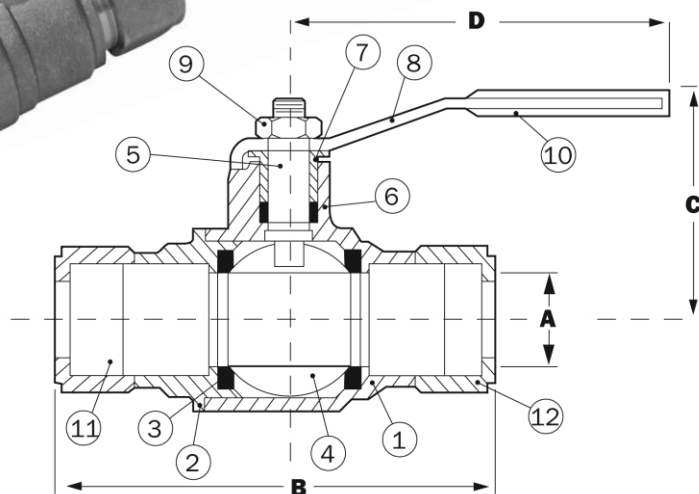
Lead free products are certified to NSF/ANSI 61-G



STANDARD BRASS ITEM #	LEAD FREE ITEM #	SIZE	CTN	CASE	A	B	C	D	Cv
40632	40632W	1/2"	25	100	1/2	2 15/16	2	3 1/2	11.5
40633	40633W	3/4"	15	60	3/4	3 3/16	2 3/16	3 3/4	27.1
40634	40634W	1"	10	40	1	4 1/8	2 5/8	4 5/8	49.3



NO.	DESCRIPTION	MATERIAL
1	BODY	BRASS
2	END CAP	BRASS
3	SEAT	PTFE
4	BALL	BRASS HCP
5	STEM	BRASS
6	STEM SEAL	PTFE
7	PACKING GLAND	BRASS
8	HANDLE	STEEL CP
9	HANDLE NUT	BRASS
10	HANDLE JACKET	VINYL
11	FERRULE	BRASS
12	COMPRESSION NUT	BRASS



TEMP °F	PSI
100	600
150	490
200	470
250	439
300	411
350	294
366	N/A

Specifications: Designed for residential, commercial or industrial use with water, oil or gas. This approved Webstone valve is actuated by a blowout proof stem and features an adjustable packing gland.



Quality and Commitment Since 1954

www.webstonevalves.com · P: (800) 225-9529 · F: (800) 336-5133

Webstone product specifications in U.S. customary units are approximate and are provided for reference only. Webstone reserves the right to change or modify product design, construction, specifications or materials without prior notice and without incurring any obligation to make such changes and modifications on Webstone products previously or subsequently sold.

4063-4063wspec_081313