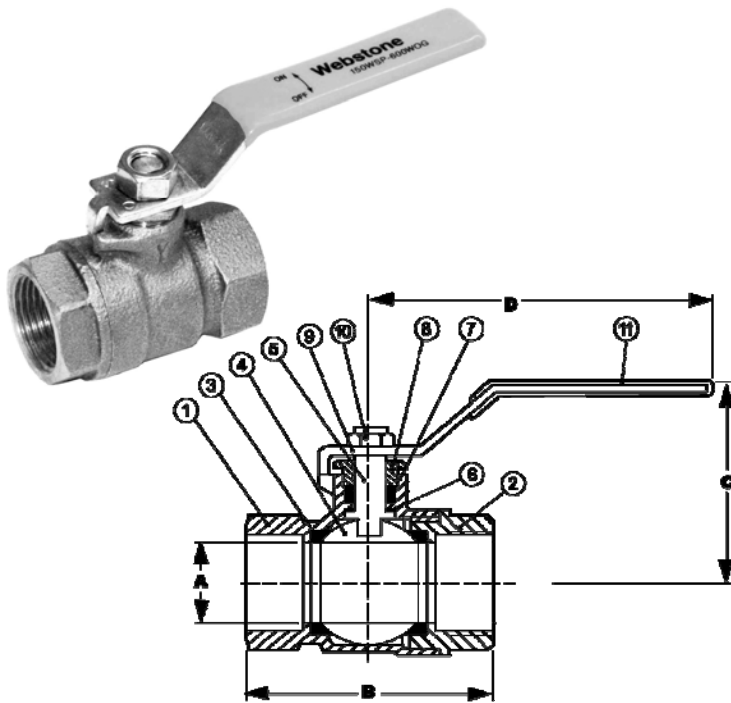


THIS SPACE FOR DESIGNER/ENGINEER APPROVAL

Job/Customer _____	Date _____	Contractor _____
Model Specified _____	Qty _____	Approved By _____
Designer/Engineer _____	Date _____	Contractor's PO# _____
Submitted By _____	Date _____	Other _____

4050 Series
Full Port B62 Bronze Ball Valves
w/ 304 Stainless Steel Handle
IPS
600 WOG / 150 WSP
ISO 9001

ITEM #	SIZE	CTN	CASE	A	B	C	D	Cv
40500	1/4"	10	100	1/4	1 7/8	1 1/2	3 1/8	6.4
40501	3/8"	10	100	3/8	1 7/8	1 1/2	3 1/8	7.8
40502	1/2"	10	100	1/2	2 1/8	1 11/16	3 1/8	11.5
40503	3/4"	6	60	3/4	2 9/16	2	4 1/2	27.0
40404	1"	6	42	1	2 15/16	2 1/4	4 5/8	56.5
40505	1 1/4"	4	32	1 1/4	3 1/4	2 1/2	5	119.4
40506	1 1/2"	4	20	1 1/2	3 1/8	2 7/8	6	174.6
40507	2"	2	12	2	4 3/8	3 1/2	6 3/8	248.6
40508	2 1/2"	2	10	2 1/2	5 1/2	4 1/4	6 3/8	337.1
40509	3"	2	8	3	6 1/4	4 1/4	7 7/8	383.8



NO.	DESCRIPTION	MATERIAL
1	BODY	BRONZE ASTM B62 (85-5-5-5)
2	END CAP	BRONZE ASTM B62 (85-5-5-5)
3	SEATS	PTFE
4	BALL	BRASS HCP
5	STEM	BRASS
6	THRUST WASHER	PTFE
7	STEM SEAL	BRASS
8	PACKING GLAND	STAINLESS STEEL 304
9	LEVER HANDLE	STAINLESS STEEL 304
10	NUT	STAINLESS STEEL 304
11	HANDLE JACKET	VINYL

TEMP °F	PSI
100	600
150	600
200	600
250	600
300	580
350	568
366	548

Specifications: Designed for residential or industrial use with a broad range of fluid handling applications. This approved Webstone valve is actuated by a blowout proof stem and features an adjustable packing gland. Threaded ends comply with ANSI B1.20.1.



Quality and Commitment Since 1954

Tel: (800) 225-9529 • Fax (800) 336-5133

Webstone product specifications in U.S. customary units are approximate and are provided for reference only. Webstone reserves the right to change or modify product design, construction, specifications or materials without prior notice and without incurring any obligation to make such changes and modifications on Webstone products previously or subsequently sold.