

THIS SPACE FOR DESIGNER/ENGINEER APPROVAL

Job/Customer _____	Date _____	Contractor _____
Model Specified _____	Qty _____	Approved By _____
Designer/Engineer _____	Date _____	Contractor's PO# _____
Submitted by _____	Date _____	Other _____

4043 Series

**Full Port Forged Brass Ball Valves
w/ Single Union End & Hi-Flow Hose Drain
Adjustable Packing Gland & Reversible Handle
IPS Union x IPS
600 WOG
ISO 9001**



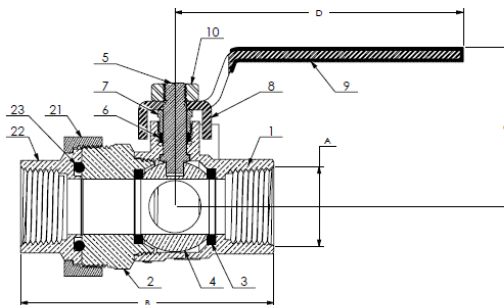
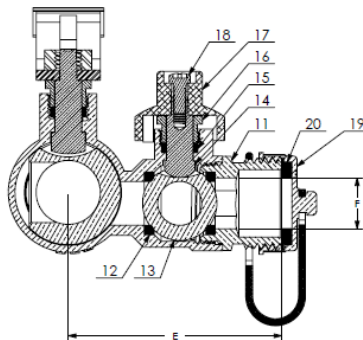
**LEAD FREE
CLEAN
BRASS**
THE CLEAR CHOICE
FOR THE PROFESSIONAL

Lead free products are certified to NSF/ANSI 61 & NSF/ANSI 372

STANDARD BRASS ITEM #	LEAD FREE ITEM #	SIZE	CTN	CASE (Lead Free QTY)	A	B	C	D	E	F
40433	40433W	3/4"	6	24	3/4	3 1/4	2 1/16	4	2 7/16	1/2
40434	40434W	1"	4	16	1	4	2 5/8	4 1/16	2 1/2	1/2
40435	40435W	1 1/4"	2	12	1 1/4	4 5/16	3	4 5/16	2 15/16	3/4
40436	40436W	1 1/2"	2	12 (8)	1 1/2	5 3/16	3 1/2	5 3/16	3 1/8	3/4



INCLUDES
4143/5143 SERIES
UNION DRAIN BALL
FUNCTIONALITY



NO.	DESCRIPTION	MATERIAL
1	BODY	BRASS
2	END CAP	BRASS
3	SEAT	PTFE
4	BALL	BRASS HCP
5	STEM	BRASS
6	STEM SEAL	PTFE
7	PACKING GLAND	BRASS
8	LEVER HANDLE	STEEL CP
9	HANDLE JACKET	VINYL
10	HANDLE NUT	STAINLESS STEEL
11	END CAP	BRASS
12	SEAT	PTFE
13	BALL	BRASS HCP
14	STEM	BRASS
15	STEM SEAL	PTFE
16	PACKING GLAND	BRASS
17	HANDLE	ALUMINUM
18	HANDLE SCREW	BRASS
19	CAP & STRAP	BRASS w/ PVC STRAP
20	WASHER	EPDM
21	UNION NUT	BRASS
22	FITTING	BRASS
23	WASHER	EPDM



TEMP °F	PSI
100	600
150	490
200	470
250	439
300	411
350	294
366	N/A

Specifications: Designed for residential, commercial or industrial use with water, oil or gas. This approved Webstone valve is actuated by a blowout proof stem and features an adjustable packing gland. Threaded ends comply with ANSI B1.20.1.



Quality and Commitment Since 1954

www.webstonevalves.com P: (800) 225-9529 F: (800) 336-5133

Webstone product specifications in U.S. customary units are approximate and are provided for reference only. Webstone reserves the right to change or modify product design, construction, specifications or materials without prior notice and without incurring any obligation to make such changes and modifications on Webstone products previously or subsequently sold.

4043-4043Wspec_040114