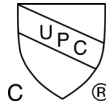


Forged DZR Brass 90° Transition Elbow

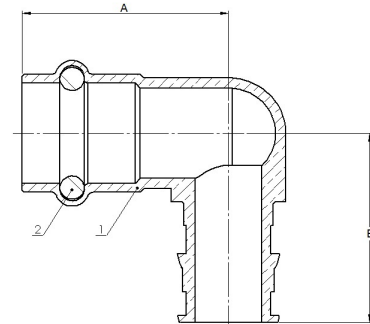


Certifications

Certified to NSF/ANSI 61 & 372 NSF/ANSI 14 IGC 319, PS117



NO.	DESCRIPTION	MATERIAL
1	Body	Lead Free DZR Brass
2	O-Ring	EPDM



Designed for residential, commercial or industrial use. PEX end dimensions comply with the referenced ASTM specification.

ITEM#	Connection Type	SIZE (in)	Pressure Rating	Max Temp	A	B
H-36842W	Press x ASTM F1960 PEX	1/2	250 PSI CWP	250 F	1.41	1.23
H-36843W	Press x ASTM F1960 PEX	3/4	250 PSI CWP	250 F	1.67	1.58
H-36844W	Press x ASTM F1960 PEX	1	250 PSI CWP	250 F	1.90	1.98
H-36845W	Press x ASTM F1960 PEX	1 1/4	250 PSI CWP	250 F	2.28	2.41
H-36846W	Press x ASTM F1960 PEX	1 1/2	250 PSI CWP	250 F	2.37	2.74
H-36847W	Press x ASTM F1960 PEX	2	250 PSI CWP	250 F	3.12	3.53
H-16842W	Press x ASTM F1807 PEX	1/2	250 PSI CWP	250 F	1.41	1.15
H-16843W	Press x ASTM F1807 PEX	3/4	250 PSI CWP	250 F	1.67	1.21
H-16844W	Press x ASTM F1807 PEX	1	250 PSI CWP	250 F	1.90	1.60
H-16845W	Press x ASTM F1807 PEX	1 1/4	250 PSI CWP	250 F	2.28	1.91
H-16846W	Press x ASTM F1807 PEX	1 1/2	250 PSI CWP	250 F	2.37	2.19
H-16847W	Press x ASTM F1807 PEX	2	250 PSI CWP	250 F	3.12	2.88

