

THIS SPACE FOR DESIGNER/ENGINEER APPROVAL

Job/Customer _____	Date _____	Contractor _____
Model Specified _____	Qty _____	Approved By _____
Designer/Engineer _____	Date _____	Contractor's PO# _____
Submitted by _____	Date _____	Other _____

3470W Series

Full Flow Forged Brass Ball Valve w/ Adjustable Packing Nut & Stainless Steel Wing Style "T" Handle FNPT x ASTM F1960 PEX 400 WOG

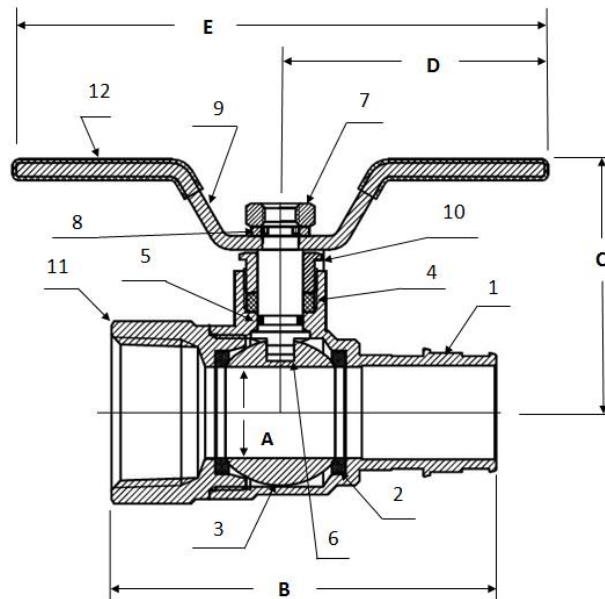
Products are certified to NSF / ANSI-14, IAPMO / ANSI Z1157, NSF/ANSI-61 & NSF/ANSI-372



ITEM #	SIZE	CTN	CASE	A	B	C	D	E
34702WSSW	1/2"	10	80	.39	2 1/4	1 3/4	2	4
34703WSSW	3/4"	10	60	.61	2 5/8	1 7/8	2	4
34704WSSW	1"	6	36	.81	3 3/8	2 1/4	2 3/8	4 3/4

TEMP °F	WOG
100	400
150	327
200	313
250	210

NO.	DESCRIPTION	MATERIAL
1	BODY	LEAD FREE BRASS
2	SEAT	PTFE
3	BALL	STAINLESS STEEL
4	PACKING	PTFE
5	O-RING	NBR
6	STEM	BRASS
7	HANDLE NUT	STAINLESS STEEL
8	LOCK WASHER	STAINLESS STEEL
9	HANDLE	STAINLESS STEEL
10	PACKING NUT	BRASS
11	END CAP	LEAD FREE BRASS
12	HANDLE JACKET	VINYL



Specifications: Designed for residential, commercial or industrial use with water, oil or gas. This approved Webstone valve is actuated by a blowout proof stem and features an adjustable packing nut. Threaded end complies with ANSI/ASME B1.20.1. Pex end dimensions comply with ASTM F1960.



Quality and Commitment Since 1954

www.webstonevalves.com P: (800) 225-9529 F: (800) 336-5133

Webstone product specifications in U.S. customary units are approximate and are provided for reference only. Webstone reserves the right to change or modify product design, construction, specifications or materials without prior notice and without incurring any obligation to make such changes and modifications on Webstone products previously or subsequently sold.

3470Wspec_09292015