



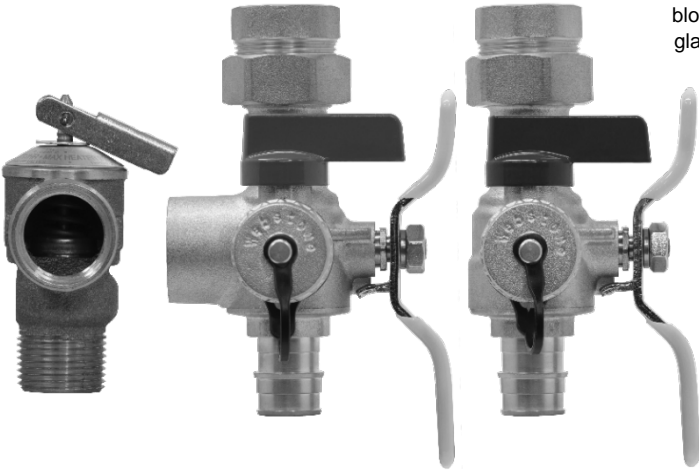
3444 Series

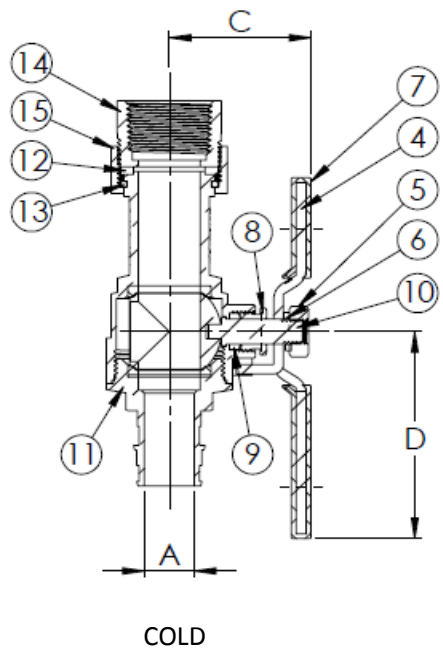
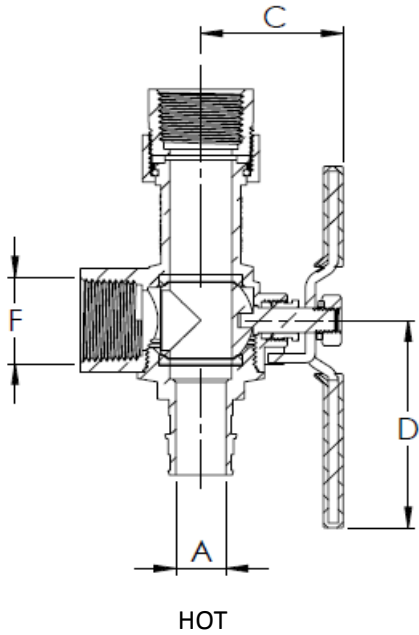
The Isolator E-X-P E2 Tankless Water Heater Service Valve Kit
Hot & Cold Set of Full Port Forged Dezincification Resistant Brass Ball Valves
w/ Hi-Flow Hose Drains,
Pressure Relief Valve Outlet,
& Adjustable Packing Glands
Includes Residential Pressure Relief Valve (150 PSI/200,000 BTU)
FIP Union x ASTM F1960 PEX
Max Operating Pressure: 400 WOG
Certified to NSF/ANSI 61 & 372, NSF/ANSI 14 & IAPMO ANSI Z1157
ISO 9001



ITEM#	SIZE (in)	CTN	CASE	A	B	C	D	E	F
H-34443WPR	3/4	1	10	0.75	4.84	1.97	65.50	3.11	0.75
H-34444WPR	1	1	10	1.00	4.89	1.97	65.50	3.11	0.75
LEAD FREE RESIDENTIAL PRESSURE RELIEF VALVE (150 PSI/200,000 BTU)									
H-34443WPR-LF	3/4	1	10	0.75	4.84	1.97	65.50	3.11	0.75
H-34444WPR-LF	1	1	10	1.00	4.89	1.97	65.50	3.11	0.75

Designed for residential or commercial use with potable water. This approved Webstone valve is actuated by a blowout proof stem and features an adjustable packing gland. Threaded ends comply with ANSI B1.20.1. PEX Ends comply with ASTM F-1960





NO.	DESCRIPTION	MATERIAL
1	Body	Brass
2	Seats	PTFE
3	Ball	Brass
4	Handle	Chrome Plated Steel
5	Handle Nut	Stainless Steel
6	Lock Washer	Stainless Steel
7	Handle Jacket	VINYL
8	Packing Gland	Brass
9	Stem Seal	PTFE
10	Stem	Brass
11	End Cap	Brass
12	Union Nut	Brass
13	Retaining Ring	Stainless Steel
14	Union Fitting	Brass
15	Washer	EPDM
16	Drain Valve Handle	Enamel Coated Aluminum
17	Drain Valve Handle Screw	Stainless Steel
18	Cap & Strap	Brass, EPDM Hose Washer, Strap
19	End Cap	Brass
20	Ball	Brass
21	Stem Seal	PTFE
22	Packing Gland	Brass

