

THIS SPACE FOR DESIGNER/ENGINEER APPROVAL

Job/Customer _____	Date _____	Contractor _____
Model Specified _____	Qty _____	Approved By _____
Designer/Engineer _____	Date _____	Contractor's PO# _____
Submitted by _____	Date _____	Other _____

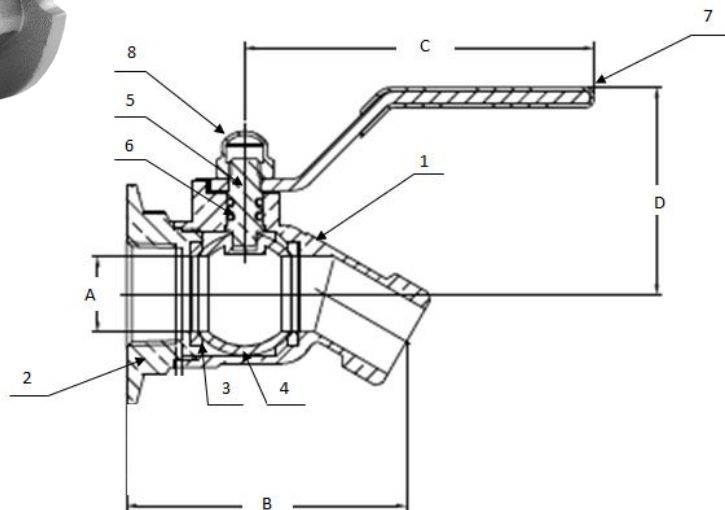
3020W Series
Forged Brass Sillcock
Nickel Plated w/ 1/4 Turn Action
FIP Flange x 3/4" Male Hose
Lead Free
125 WOG
ISO 9001



ITEM #	SIZE	CTN	CASE	A	B	C	D
30202W	1/2	12	72	1/2	2 1/2	2 1/4	1 1/2
30203W	3/4	12	72	3/4	2 3/4	2 1/2	1 3/4



NO.	DESCRIPTION	MATERIAL
1	BODY	LEAD FREE BRASS
2	END CAP	LEAD FREE BRASS
3	SEAT	PTFE
4	BALL	LEAD FREE BRASS
5	STEM	LEAD FREE BRASS
6	O-RING	EPDM
7	HANDLE	STAINLESS STEEL
8	HANDLE NUT	STAINLESS STEEL



Specifications: Designed for residential, commercial or industrial use with water, oil or gas. This approved Webstone valve is actuated by a blowout proof stem and features an adjustable packing gland. Threaded ends comply with ANSI B1.20.1



Quality and Commitment Since 1954

www.webstonevalves.com P: (800) 225-9529 F: (800) 336-5133

Webstone product specifications in U.S. customary units are approximate and are provided for reference only. Webstone reserves the right to change or modify product design, construction, specifications or materials without prior notice and without incurring any obligation to make such changes and modifications on Webstone products previously or subsequently sold.