

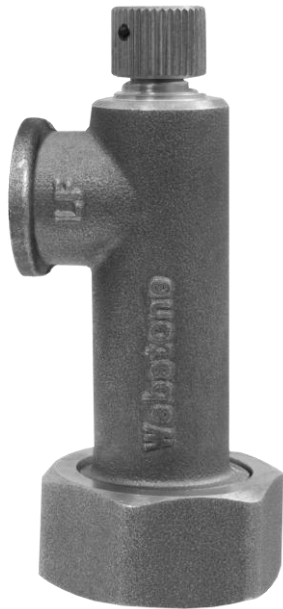
THIS SPACE FOR DESIGNER/ENGINEER APPROVAL

Job/Customer _____	Date _____	Contractor _____
Model Specified _____	Qty _____	Approved By _____
Designer/Engineer _____	Date _____	Contractor's PO# _____
Submitted by _____	Date _____	Other _____

30000W-P
Add-A-Gauge Tool
Forged Brass Hose Fitting
w/ 1/8" Bleeder (capped)
& 1/4"NPT Connection for Pressure Gauge
Lead Free
250 PSI MAX
ISO 9001

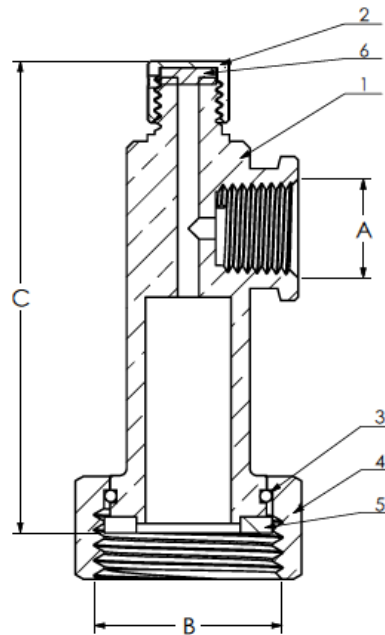


ITEM #	SIZE	CTN	CASE	A	B	C	LIST EACH
30000W-P	1/4	10	100	1/4	3/4	2 3/4	\$8.19



PATENTS PENDING

NO.	DESCRIPTION	MATERIAL
1	BODY	BRASS
2	BLEEDER CAP	BRASS
3	SNAP RING	STAINLESS STEEL
4	UNION NUT	BRASS
5	UNION GASKET	EPDM
6	BLEEDER CAP GASKET	EPDM



Specifications: Designed for residential, commercial or industrial use with water, oil or gas. Threaded ends comply with ANSI B1.20.1



Quality and Commitment Since 1954

www.webstonevalves.com P: (800) 225-9529 F: (800) 336-5133

Webstone product specifications in U.S. customary units are approximate and are provided for reference only. Webstone reserves the right to change or modify product design, construction, specifications or materials without prior notice and without incurring any obligation to make such changes and modifications on Webstone products previously or subsequently sold.

30000W-Pspec_10152015