

THIS SPACE FOR DESIGNER/ENGINEER APPROVAL

Job/Customer _____	Date _____	Contractor _____
Model Specified _____	Qty _____	Approved By _____
Designer/Engineer _____	Date _____	Contractor's PO# _____
Submitted By _____	Date _____	Other _____

2256 Series Forged Brass Gas Ball Valves IPS

CSA Approved Class 3371-12 5 PSIG Maximum for Gas Appliance Inlet Connection

CSA Approved Class 3371-88 1/2 PSIG Maximum for Gas Appliance Pilot Shutoff

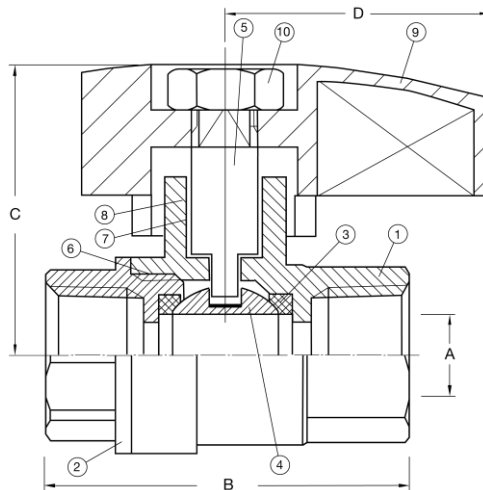
Non CSA Applications 600 WOG

ISO 9001

ITEM #	SIZE	CTN	CASE	A	B	C	D
22561	3/8"	12	144	5/16	1 11/16	1 1/4	1 1/8
22562	1/2"	12	144	3/8	2 1/8	1 1/4	1 1/8
22563	3/4"	12	144	9/16	2 3/8	1 3/8	1 1/8
22564	1"	6	72	3/4	2 5/8	2 1/16	1 1/4



NO.	DESCRIPTION	MATERIAL
1	BODY	BRASS
2	END CAP	BRASS
3	SEATS	PTFE
4	BALL	BRASS HCP
5	STEM	BRASS
6	THRUST WASHER	PTFE
7	STEM SEAL	PTFE
8	PACKING GLAND	BRASS
9	LEVER HANDLE	ZINC w/ EPOXY COATING
10	SCREW	BRASS



TEMP °F	PSI
100	600
150	490
200	470
250	439
300	411
350	294
366	N/A

Specifications: Designed for use with natural, manufactured, mixed liquefied petroleum and LP gas/air mixtures. This approved Webstone valve is actuated by a blowout proof stem. This valve complies with ANSI 2.21.15 for use as a gas appliance connector valve for a 1/2 lb system. Threaded ends comply with ANSI B1.20.1.

Webstone
VALVE INNOVATION

Quality and Commitment Since 1954

www.webstonevalves.com · P: (800) 225-9529 · F: (800) 336-5133

Webstone product specifications in U.S. customary units are approximate and are provided for reference only. Webstone reserves the right to change or modify product design, construction, specifications or materials without prior notice and without incurring any obligation to make such changes and modifications on Webstone products previously or subsequently sold.

2256spec_042512