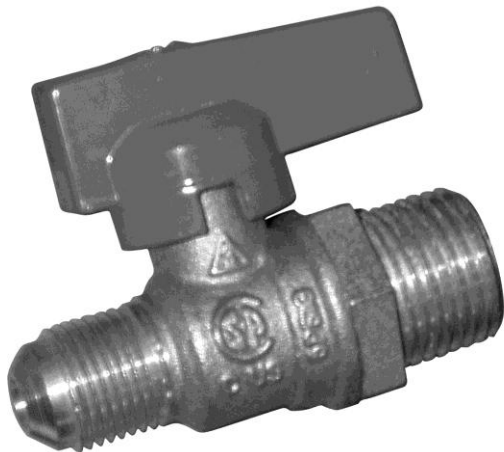


THIS SPACE FOR DESIGNER/ENGINEER APPROVAL

Job/Customer _____	Date _____	Contractor _____
Model Specified _____	Qty _____	Approved By _____
Designer/Engineer _____	Date _____	Contractor's PO# _____
Submitted By _____	Date _____	Other _____

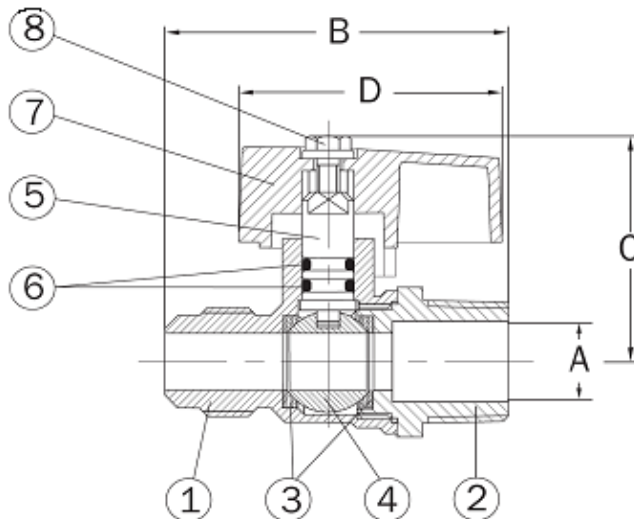
2157 Series
Forged Brass Gas Ball Valves
Flare x MIP
1/2 to 175 WOG
ISO 9001

ITEM #	SIZE	CTN	CASE	A	B	C	D
21571	3/8" x 1/2"	12	144	1/4	2 7/16	1 1/2	1 3/4
21572	1/2" x 1/2"	12	144	3/8	2 7/16	1 1/2	1 3/4



NO.	DESCRIPTION	MATERIAL
1	BODY	BRASS
2	END CAP	BRASS
3	SEATS	PTFE
4	BALL	BRASS HCP
5	STEM	BRASS
6	O-RINGS	VITON
7	HANDLE	ALUMINUM
8	SCREW	BRASS

TEMP °F	PSI
100	175
150	175
200	175
250	175
300	175
350	175
366	175



Specifications: Designed for use with natural, manufactured, mixed liquefied petroleum and LP gas/air mixtures. This approved Webstone valves is actuated by a blowout proof stem. This valve complies with ANSI 2.21.15 for use as a gas appliance connector valve for a 1/2 lb system. Threaded ends comply with ANSI B1.20.1.



Quality and Commitment Since 1954

www.webstonevalves.com · P: (800) 225-9529 · F: (800) 336-5133

Webstone product specifications in U.S. customary units are approximate and are provided for reference only. Webstone reserves the right to change or modify product design, construction, specifications or materials without prior notice and without incurring any obligation to make such changes and modifications on Webstone products previously or subsequently sold.

2157Xspec_090611