

THIS SPACE FOR DESIGNER/ENGINEER APPROVAL

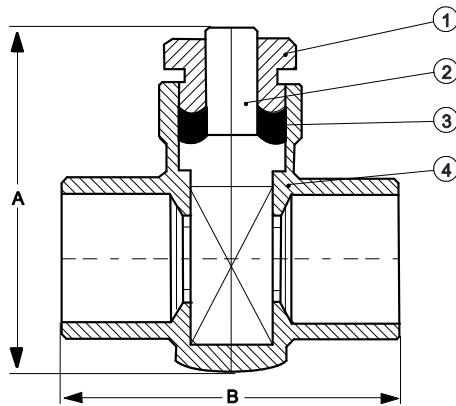
Job/Customer _____	Date _____	Contractor _____
Model Specified _____	Qty _____	Approved By _____
Designer/Engineer _____	Date _____	Contractor's PO# _____
Submitted by _____	Date _____	Other _____

20103
Brass Balancing Valves
w/ Butterfly Action & Screwdriver Slot
CxC
125 PSI
ISO 9001

ITEM #	SIZE	CTN	CASE	A	B
20103	3/4"	12	72	2 5/16	2 1/4



NO.	DESCRIPTION	MATERIAL
1	PACKING GLAND	BRASS
2	STEM	BRASS
3	STEM SEAL	NBR
4	BODY	BRASS



Specifications: Designed for residential and commercial use to regulate flow. Ideal for use in hydronic closed loop heating systems. Regulates flow in multiple or single zone applications. Butterfly action diminishes noise and chatter in the system often encountered with gate valves use. Slotted actuation minimizes unintended adjustments. For use in 3/4" copper piping lines. Solder joint temperature ratings are per ASME B16.18 Annex A for 95-5 solder. Other solder materials have lower pressure/temperature limits. Do not silver braze or overheat valves when soldering.



Quality and Commitment Since 1954

www.webstonevalves.com · P: (800) 225-9529 · F: (800) 336-5133

Webstone product specifications in U.S. customary units are approximate and are provided for reference only. Webstone reserves the right to change or modify product design, construction, specifications or materials without prior notice and without incurring any obligation to make such changes and modifications on Webstone products previously or subsequently sold.

20103spec_090711