



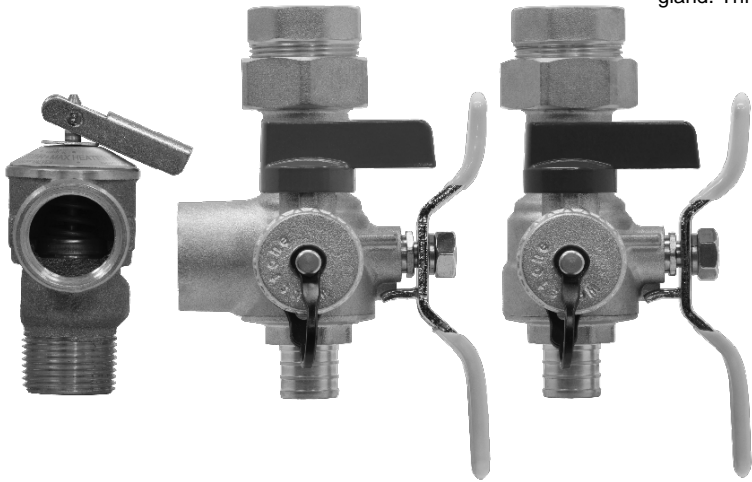
## 1444 Series

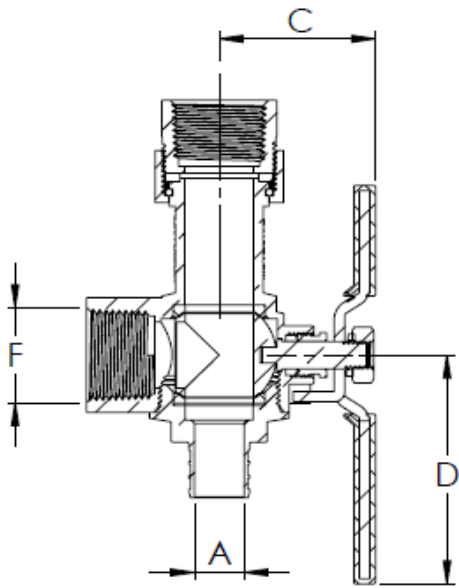
The Isolator E-X-P E2 Tankless Water Heater Service Valve Kit  
 Hot & Cold Set of Full Port Forged Dezincification Resistant Brass Ball Valves  
 w/ Hi-Flow Hose Drains,  
 Pressure Relief Valve Outlet,  
 & Adjustable Packing Glands  
 Includes Residential Pressure Relief Valve (150 PSI/200,000 BTU)  
 FIP Union x ASTM F1807 PEX  
 Max Operating Pressure: 400 WOG  
 Certified to NSF/ANSI 61 & 372, NSF/ANSI 14 & IAPMO ANSI Z1157  
 ISO 9001



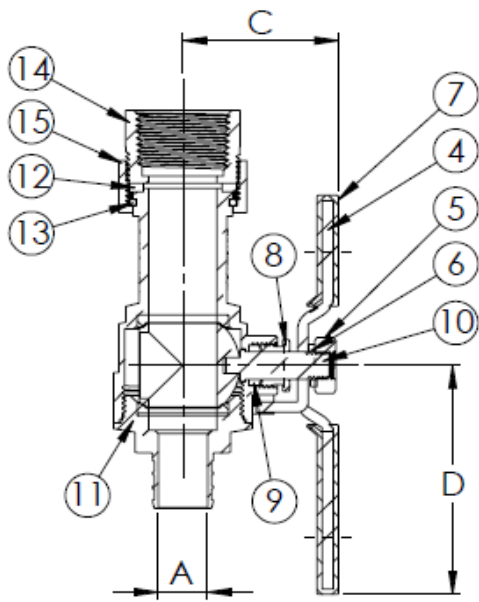
| ITEM#  | SIZE (in) | CTN | CASE | A    | B    | C    | D     | E    | F    |
|--|-----------|-----|------|------|------|------|-------|------|------|
| H-14443WPR   | 3/4       | 1   | 10   | 0.75 | 4.53 | 1.97 | 65.50 | 3.11 | 0.75 |
| H-14444WPR   | 1         | 1   | 10   | 1.00 | 4.58 | 1.97 | 65.50 | 3.11 | 0.75 |
| <b>LEAD FREE RESIDENTIAL PRESSURE RELIEF VALVE (150 PSI/200,000 BTU)</b> |           |     |      |      |      |      |       |      |      |
| H-14443WPR-LF  | 3/4       | 1   | 10   | 0.75 | 4.53 | 1.97 | 65.50 | 3.11 | 0.75 |
| H-14444WPR-LF  | 1         | 1   | 10   | 1.00 | 4.58 | 1.97 | 65.50 | 3.11 | 0.75 |

Designed for residential or commercial use with potable water. This approved Webstone valve is actuated by a blowout proof stem and features an adjustable packing gland. Threaded ends comply with ANSI B1.20.1. PEX Ends comply with ASTM F-1807





HOT



COLD

| NO. | DESCRIPTION              | MATERIAL                       |
|-----|--------------------------|--------------------------------|
| 1   | Body                     | Brass                          |
| 2   | Seats                    | PTFE                           |
| 3   | Ball                     | Brass                          |
| 4   | Handle                   | Chrome Plated Steel            |
| 5   | Handle Nut               | Stainless Steel                |
| 6   | Lock Washer              | Stainless Steel                |
| 7   | Handle Jacket            | VINYL                          |
| 8   | Packing Gland            | Brass                          |
| 9   | Stem Seal                | PTFE                           |
| 10  | Stem                     | Brass                          |
| 11  | End Cap                  | Brass                          |
| 12  | Union Nut                | Brass                          |
| 13  | Retaining Ring           | Stainless Steel                |
| 14  | Union Fitting            | Brass                          |
| 15  | Washer                   | EPDM                           |
| 16  | Drain Valve Handle       | Enamel Coated Aluminum         |
| 17  | Drain Valve Handle Screw | Stainless Steel                |
| 18  | Cap & Strap              | Brass, EPDM Hose Washer, Strap |
| 19  | End Cap                  | Brass                          |
| 20  | Ball                     | Brass                          |
| 21  | Stem Seal                | PTFE                           |
| 22  | Packing Gland            | Brass                          |

