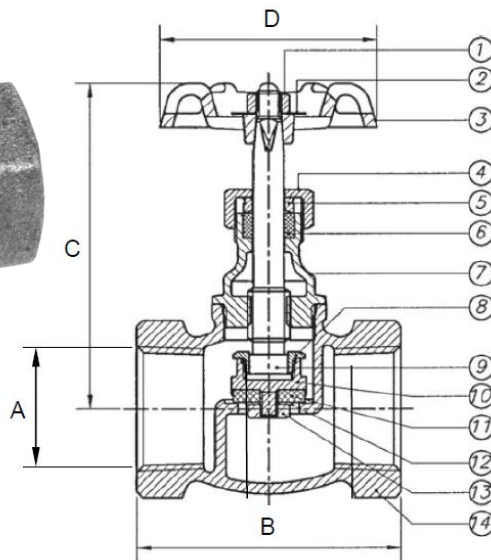


THIS SPACE FOR DESIGNER/ENGINEER APPROVAL

Job/Customer _____	Date _____	Contractor _____
Model Specified _____	Qty _____	Approved By _____
Designer/Engineer _____	Date _____	Contractor's PO# _____
Submitted by _____	Date _____	Other _____

1180 Series
Brass Stop Valves (Globe)
Straight – Soft Seat
IPS
200 WOG, 180°F Max
ISO 9001

ITEM #	SIZE	CTN	CASE	A	B	C*	D
11802	1/2	12	72	1/2	1 7/8	2 5/8	2 1/8
11803	3/4	12	72	3/4	2 1/2	2 7/8	2 1/2
11804	1	5	40	1	2 1/2	3 5/8	2 7/16
11805	1 1/4	5	30	1 1/4	2 7/8	4 3/8	2 5/8
11806	1 1/2	4	24	1 1/2	3 5/16	5	3 3/16
11807	2	2	16	2	3 7/8	6 1/8	3 7/8



NO.	DESCRIPTION	MATERIAL
1	Wheel Nut	Steel
2	Name Plate	Aluminum
3	Handwheel	Cast Iron
4	Packing Nut	Brass
5	Gland Ring	Brass
6	Gland Packing	Graphite
7	Bonnet	Brass
8	Locknut	Brass
9	Stem	Brass
10	Seat Holder	Brass
11	Seat Packing	Rubber
12	Washer	Brass
13	Seat Screw & Nut	Brass
14	Body	Brass

Specifications: Designed for residential, commercial or industrial use with water, oil or gas. Threaded ends comply with ANSI B1.20.1. ** C " dimension is in the fully open position +/- 1/8"



Quality and Commitment Since 1954

www.webstonevalves.com P: (800) 225-9529 F: (800) 336-5133

Webstone product specifications in U.S. customary units are approximate and are provided for reference only. Webstone reserves the right to change or modify product design, construction, specifications or materials without prior notice and without incurring any obligation to make such changes and modifications on Webstone products previously or subsequently sold.

1180spec_08182015