

THIS SPACE FOR DESIGNER/ENGINEER APPROVAL

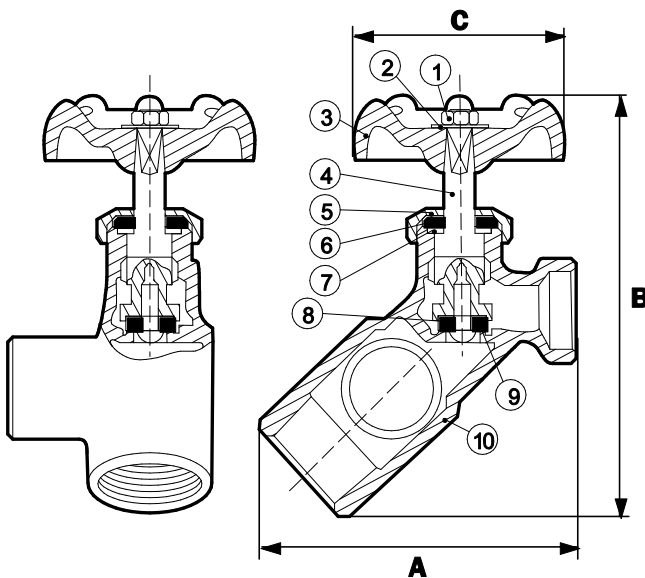
Job/Customer _____	Date _____	Contractor _____
Model Specified _____	Qty _____	Approved By _____
Designer/Engineer _____	Date _____	Contractor's PO# _____
Submitted by _____	Date _____	Other _____

11711
Brass Water Heater Drain Valve
w/ Recirculating Elbow
FIP x FIP x Hose
125 PSI
ISO 9001



STANDARD BRASS ITEM #	LEAD FREE ITEM #	SIZE	CTN	CASE	A	B	C
11711-T	11711W	3/4"	12	72	3 1/4	3 13/16	2 1/16

NO.	DESCRIPTION	MATERIAL
1	HANDLE NUT	BRASS
2	NAME PLATE	ALUMINUM
3	HANDLE	CAST IRON
4	STEM	BRASS
5	BONNET	BRASS
6	PACKING	RUBBER
7	WASHER	STAINLESS STEEL
8	SEAT PACKING	RUBBER
9	SEAT SCREW	BRASS
10	BODY	BRASS



Specifications: Designed for residential, commercial or industrial use in hydronic heating systems. Threaded ends comply with ANSI B1.20.1.



Quality and Commitment Since 1954

www.webstonevalves.com · P: (800) 225-9529 · F: (800) 336-5133

Webstone product specifications in U.S. customary units are approximate and are provided for reference only. Webstone reserves the right to change or modify product design, construction, specifications or materials without prior notice and without incurring any obligation to make such changes and modifications on Webstone products previously or subsequently sold.

11711T-11711Wspec_112812