

**THIS SPACE FOR DESIGNER/ENGINEER APPROVAL**

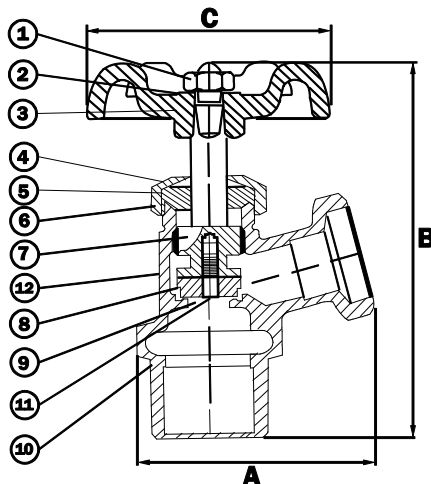
Job/Customer _____	Date _____	Contractor _____
Model Specified _____	Qty _____	Approved By _____
Designer/Engineer _____	Date _____	Contractor's PO# _____
Submitted by _____	Date _____	Other _____

# 11704, 11705, 11709 & 11712

**Brass Boiler Drains  
w/ Stuffing Box  
200 PSI  
ISO 9001**



STANDARD BRASS ITEM #	LEAD FREE ITEM #	SIZE	CTN	CASE	A	B	C
<b>MIP x Hose</b>							
11704	11704W	1/2"	12	72	2	3 1/8	2 1/16
11705	11705W	3/4"	12	72	2	3 1/8	2 1/16
<b>FIP x Hose</b>							
11709	--	1/2"	12	72	2	3	2 1/16
11712	--	3/4"	12	72	2	3	2 1/16



NO.	DESCRIPTION	MATERIAL
1	WHEEL NUT	HOT ROLLED WIRE RODS
2	NAME PLATE	ALUMINUM
3	HANDLE WHEEL	ROD CARBON STEEL
4	STEM	BRASS
5	PACKING NUT	BRASS
6	PACKING	EPDM
7	BONNET	BRASS
8	PACKING	EPDM
9	WASHER	STAINLESS STEEL
10	SEAT PACKING	EPDM
11	SEAT SCREW	BRASS
12	BODY	BRASS

**Specifications:** Designed for residential, commercial or industrial use in hydronic heating systems. Threaded ends comply with ANSI B1.20.1.



Quality and Commitment Since 1954

www.webstonevalves.com · P: (800) 225-9529 · F: (800) 336-5133

Webstone product specifications in U.S. customary units are approximate and are provided for reference only. Webstone reserves the right to change or modify product design, construction, specifications or materials without prior notice and without incurring any obligation to make such changes and modifications on Webstone products previously or subsequently sold.