

THIS SPACE FOR DESIGNER/ENGINEER APPROVAL

Job/Customer _____	Date _____	Contractor _____
Model Specified _____	Qty _____	Approved By _____
Designer/Engineer _____	Date _____	Contractor's PO# _____
Submitted by _____	Date _____	Other _____

11702, 11703, 11707, 11708

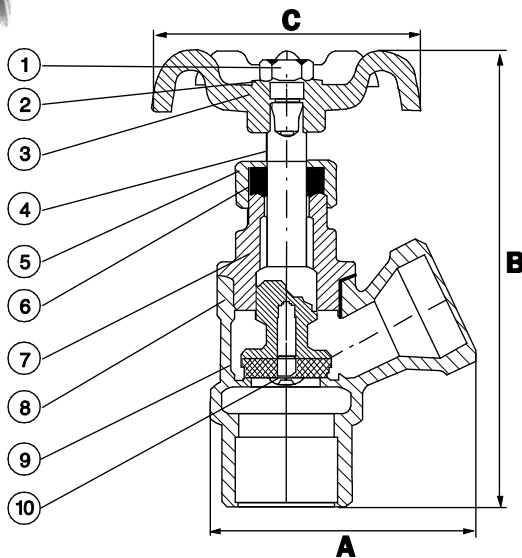
Brass Boiler Drains

200 PSI

ISO 9001



STANDARD BRASS ITEM #	LEAD FREE ITEM#	SIZE	CTN	CASE (LEAD FREE QTY)	A	B	C
MIP x Hose							
11702	11702W	1/2"	12	72	1 7/8	3 1/8	2 1/16
11703	11703W	3/4"	12	144 (72)	1 7/8	3 1/8	2 1/16
FIP x Hose							
11707	--	1/2"	12	72	2	3	2 1/16
11708	--	3/4"	12	72	2	3	2 1/16



NO.	DESCRIPTION	MATERIAL
1	WHEEL NUT	HOT ROLLED WIRE RODS
2	NAME PLATE	ALUMINUM
3	HANDLE WHEEL	ROD CARBON STEEL
4	STEM	BRASS
5	PACKING NUT	BRASS
6	PACKING	GRAPHITE
7	BONNET	BRASS
8	BODY	BRASS
9	SEAT PACKING	EPDM
10	SEAT SCREW	BRASS

Specifications: Designed for residential, commercial or industrial use in hydronic heating systems. Threaded ends comply with ANSI B1.20.1.



Quality and Commitment Since 1954

www.webstonevalves.com · P: (800) 225-9529 · F: (800) 336-5133

Webstone product specifications in U.S. customary units are approximate and are provided for reference only. Webstone reserves the right to change or modify product design, construction, specifications or materials without prior notice and without incurring any obligation to make such changes and modifications on Webstone products previously or subsequently sold.

1170-1170Wspec_112812