

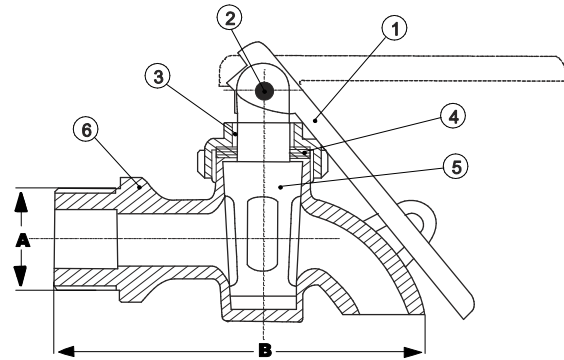
THIS SPACE FOR DESIGNER/ENGINEER APPROVAL

Job/Customer _____	Date _____	Contractor _____
Model Specified _____	Qty _____	Approved By _____
Designer/Engineer _____	Date _____	Contractor's PO# _____
Submitted by _____	Date _____	Other _____

11543
Heavy Pattern Forged Brass Oil Barrel Faucet
Plug Valve Design w/ Lockable Handle
IPS
125 PSI
ISO 9001

ITEM #	SIZE	CTN	CASE	A	B
11543	3/4"	10	80	3/4	3 3/4

NO.	DESCRIPTION	MATERIAL
1	LEVER HANDLE	STAMPED STEEL
2	HANDLE PIN	STEEL
3	SEAT	FIBER
4	WASHER	NBR
5	PLUG	BRASS
6	BODY	BRASS



Specifications: Designed for residential, commercial or industrial use for barrel and bulk dispensing needs. Ideal for use with oils and solvents. Threaded ends comply with ANSI B1.20.1.



Quality and Commitment Since 1954

www.webstonevalves.com · P: (800) 225-9529 · F: (800) 336-5133

Webstone product specifications in U.S. customary units are approximate and are provided for reference only. Webstone reserves the right to change or modify product design, construction, specifications or materials without prior notice and without incurring any obligation to make such changes and modifications on Webstone products previously or subsequently sold.