

**THIS SPACE FOR DESIGNER/ENGINEER APPROVAL**

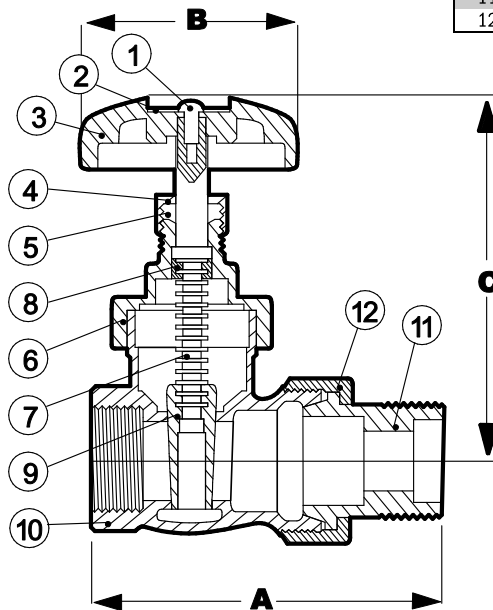
Job/Customer _____	Date _____	Contractor _____
Model Specified _____	Qty _____	Approved By _____
Designer/Engineer _____	Date _____	Contractor's PO# _____
Submitted by _____	Date _____	Other _____

**1152 Series**  
**Brass Radiator Gate Valves**  
**w/ Ground Joint Union Tailpiece & Nut**  
**IPS**  
**125 PSI / 15 WSP**  
**ISO 9001**

ITEM #	SIZE	CTN	CASE	A	B	C
11523	3/4"	6	60	3 1/2	3 9/16	3 3/8
11524	1"	4	36	4	4 1/16	3 7/8
11525	1 1/4"	2	24	4 7/16	4 3/4	4 3/8
11526	1 1/2"	2	16	4 13/16	5 1/2	5 1/4



NO.	DESCRIPTION	MATERIAL
1	WHEEL BOLT	HOT ROLLED STEEL
2	NAME PLATE	ALUMINUM
3	HAND WHEEL	PHENOLIC
4	PACKING NUT	BRASS
5	PACKING GLAND	PTFE
6	BONNET	BRASS
7	STEM	BRASS
8	LOCK NUT	BRASS
9	DISC	BRASS
10	BODY	BRASS
11	NIPPLE	BRASS
12	NIPPLE NUT	BRASS



**Specifications:** Designed for residential or commercial use in hydronic or steam applications. Threaded ends comply with ANSI B1.20.1.



Quality and Commitment Since 1954

www.webstonevalves.com · P: (800) 225-9529 · F: (800) 336-5133

Webstone product specifications in U.S. customary units are approximate and are provided for reference only. Webstone reserves the right to change or modify product design, construction, specifications or materials without prior notice and without incurring any obligation to make such changes and modifications on Webstone products previously or subsequently sold.

1152spec\_090711