

THIS SPACE FOR DESIGNER/ENGINEER APPROVAL

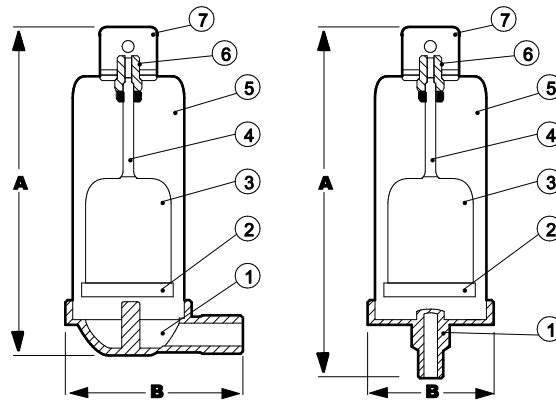
Job/Customer _____	Date _____	Contractor _____
Model Specified _____	Qty _____	Approved By _____
Designer/Engineer _____	Date _____	Contractor's PO# _____
Submitted by _____	Date _____	Other _____

1151 Series
Brass Steam Radiator Air Vent Valves
Chrome Plated Float Type
Non Vacuum
10 PSI
ISO 9001

ITEM #	SIZE	CTN	CASE	A	B
Angle					
11511	1/8"	12	72	3 1/8	1 11/16
Straight					
11512	1/8"	12	72	3 1/2	1 1/4
11513	1/4"	12	72	3 9/16	1 1/8
11514	1/2" x 3/4"	12	72	3 1/2	1 1/4
Adjustable Angle					
11515-A	1/8"	12	72	3 1/4	1 3/4



NO.	DESCRIPTION	MATERIAL
1	THREADED INLET	BRASS CP
2	FLOAT CAP	BRONZE
3	FLOATER	BRASS SHEET
4	PISTON	BRASS SHEET
5	BODY	BRASS SHEET CP
6	ADJUSTABLE SCREW	BRASS
7	VENT COLLAR	BRASS SHEET CP



Specifications: Designed for residential, commercial or industrial use. These valves are used on steam radiators, convectors, and steam mains. Model 11515-A provides for rapid venting.



Quality and Commitment Since 1954

www.webstonevalves.com · P: (800) 225-9529 · F: (800) 336-5133

Webstone product specifications in U.S. customary units are approximate and are provided for reference only. Webstone reserves the right to change or modify product design, construction, specifications or materials without prior notice and without incurring any obligation to make such changes and modifications on Webstone products previously or subsequently sold.