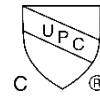


## 1140 Series

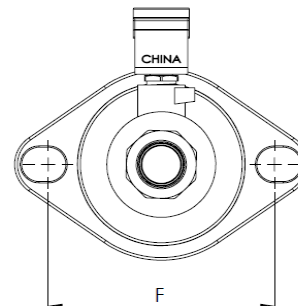
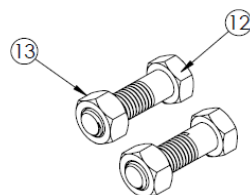
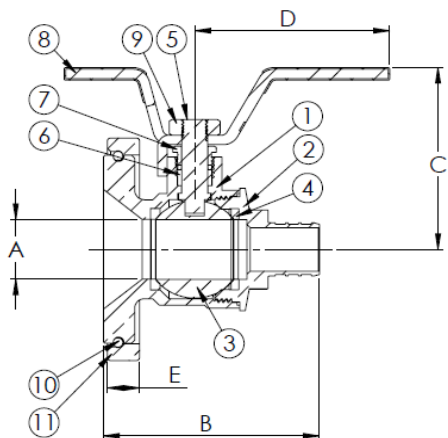
The Isolator w/ Rotating Flange  
Full Port Forged Dezincification Resistant Brass Uni-Flange Ball Valve  
w/ Detachable Rotating Flange,  
Adjustable Packing Gland,  
Nuts & Bolts  
ASTM F1807 PEX x Rotating Flange  
Max Operating Pressure: 400 WOG  
Certified to NSF/ANSI 61 & 372, NSF/ANSI 14 & IAPMO ANSI Z1157  
ISO 9001



ITEM#	SIZE (in)	CTN	CASE	A	B	C	D	E	F
H-11403W	3/4	1	20	0.75	2.75	2.25	2.38	0.38	3.50
H-11404W	1	1	20	1.00	2.92	2.63	3.38	0.38	3.50
<b>HV MODELS FIT BOTH STANDARD AND HIGH VELOCITY PUMPS</b>									
H-11403WHV	3/4	1	20	0.75	2.75	2.25	2.38	0.38	3.19
H-11404WHV	1	1	20	1.00	2.92	2.63	2.38	0.38	3.19



NO.	DESCRIPTION	MATERIAL
1	Body	Lead Free Brass
2	End Cap	Lead Free Brass
3	Ball	Lead Free Brass
4	Seats	PTFE
5	Stem	Lead Free Brass
6	Packing Gland	PTFE
7	Packing Nut	Brass
8	Handle	Chrome Plated Steel
9	Handle Nut	Stainless Steel
10	Retaining Ring	Stainless Steel
11	Rotating Flange	Brass
12	Flange Bolts	Stainless Steel
13	Flange Nuts	Stainless Steel



Designed for residential, commercial or industrial use with water, oil or gas. This approved Webstone valve is actuated by a blowout proof stem and features an adjustable packing nut. PEX end dimensions comply with ASTM F1807