

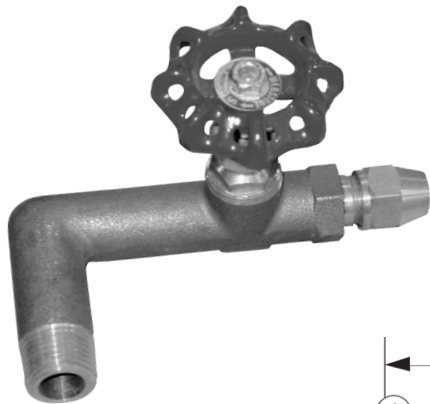
THIS SPACE FOR DESIGNER/ENGINEER APPROVAL

Job/Customer _____	Date _____	Contractor _____
Model Specified _____	Qty _____	Approved By _____
Designer/Engineer _____	Date _____	Contractor's PO# _____
Submitted by _____	Date _____	Other _____

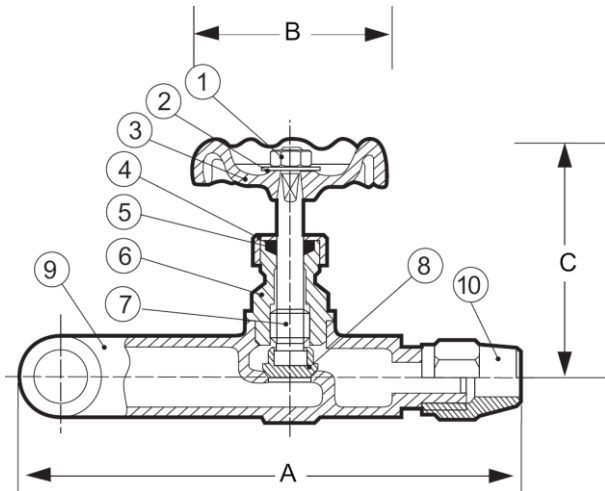
1140 Series Brass Tank Valve (Globe) Hard Seat

**125 PSI
ISO 9001**

ITEM #	SIZE	CTN	CASE	A	B	C
MIP x MIP						
11401	1/2" x 3/8"	6	72	2 5/16	2 3/4	1 1/8
MIP x FLR						
11403	1/2" x 3/8"	6	72	2 5/16	3 1/16	1 1/4



NO.	DESCRIPTION	MATERIAL
1	HANDLE NUT	HOT ROLLED STEEL
2	NAME PLATE	ALUMINUM
3	HAND WHEEL	CAST IRON
4	PACKING NUT	BRASS
5	PACKING	PTFE
6	BONNET	BRASS
7	STEM	BRASS
8	DISC	BRASS
9	BODY	BRASS
10	FLARE NUT	BRASS



Specifications: Designed for residential or commercial use with oil, on tanks delivering gravity fed heating fuel to oil fired boilers. Threaded ends comply with ANSI B1.20.1.



Quality and Commitment Since 1954

www.webstonevalves.com · P: (800) 225-9529 · F: (800) 336-5133

Webstone product specifications in U.S. customary units are approximate and are provided for reference only. Webstone reserves the right to change or modify product design, construction, specifications or materials without prior notice and without incurring any obligation to make such changes and modifications on Webstone products previously or subsequently sold.