

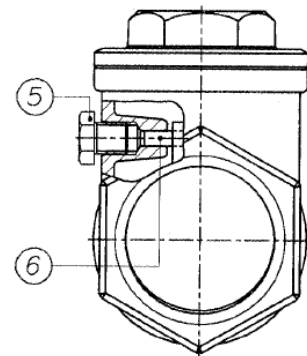
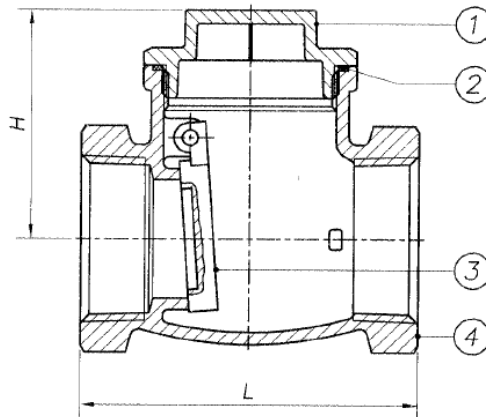
**THIS SPACE FOR DESIGNER/ENGINEER APPROVAL**

Job/Customer _____	Date _____	Contractor _____
Model Specified _____	Qty _____	Approved By _____
Designer/Engineer _____	Date _____	Contractor's PO# _____
Submitted By _____	Date _____	Other _____

**1050 Series**  
**B62 Bronze (85-5-5-5) Swing Check Valve**  
**Hard Seat**  
**IPS**  
**300 WOG/150 WSP**  
**ISO 9001**

ITEM #	SIZE	CTN	CASE	H	L
10501	3/8"	10	120	1 7/16	2 1/16
10502	1/2"	10	120	1 7/16	2 1/16
10503	3/4"	10	120	1 9/16	2 3/8
10504	1"	5	80	1 3/4	2 5/8
10505	1 1/4"	5	60	2 1/16	3 3/16
10506	1 1/2"	5	40	2 3/16	3 9/16
10507	2"	2	30	2 3/4	4 3/16
10508	2 1/2"	1	12	3 1/16	5 1/8
10509	3"	1	8	3 13/16	5 3/4
10510	4"	1	8	4 1/4	6 13/16

NO.	DESCRIPTION	MATERIAL
1	CAP	BRONZE B62
2	PACKING	LOCTITE
3	DISC	BRONZE B62
4	BODY	BRONZE B62
5	BOLT	BRASS
6	PIN	BRASS



Quality and Commitment Since 1954

www.webstonevalves.com · P: (800) 225-9529 · F: (800) 336-5133

Webstone product specifications in U.S. customary units are approximate and are provided for reference only. Webstone reserves the right to change or modify product design, construction, specifications or materials without prior notice and without incurring any obligation to make such changes and modifications on Webstone products previously or subsequently sold.

1050Spec\_102913