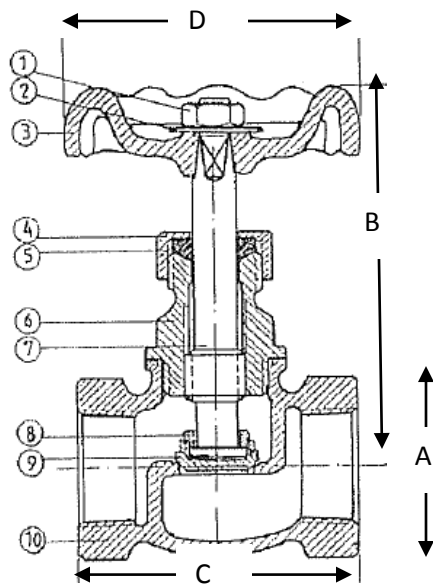


THIS SPACE FOR DESIGNER/ENGINEER APPROVAL

Job/Customer _____	Date _____	Contractor _____
Model Specified _____	Qty _____	Approved By _____
Designer/Engineer _____	Date _____	Contractor's PO# _____
Submitted by _____	Date _____	Other _____

1040 Series
Brass Globe Valves
Straight - Hard Seat
IPS
200 WOG / 125 WSP
ISO 9001

ITEM #	SIZE	CTN	CASE	A	B	C	D
10400	1/4"	10	120	7/8	2 1/2	1 13/16	1 7/8
10401	3/8"	10	120	7/8	2 5/8	1 13/16	2
10402	1/2"	10	120	1 1/4	2 5/8	1 7/8	1 7/8
10403	3/4"	10	80	1 1/4	2 7/8	1 13/16	2 1/8
10404	1"	5	40	1 3/4	3 1/2	2 1/2	2 1/4
10405	1 1/4"	5	30	2 1/2	4 1/4	3	2 5/8
10406	1 1/2"	4	24	2 1/2	4 1/4	3 1/4	3
10407	2"	2	16	3 1/8	4 3/4	4	3 9/16



NO.	DESCRIPTION	MATERIAL
1	WHEEL NUT	HOT ROLLED (SAE 1010R)
2	NAME PLATE	ALUMINUM
3	HAND WHEEL	CAST IRON
4	PACKING NUT	BRASS
5	GLAND RING	BRASS
6	GLAND PACKING	GRAPHITE
7	BONNET	BRASS
8	LOCK NUT	BRASS
9	STEM	BRASS
10	DISC	BRASS
11	BODY	BRASS



Quality and Commitment Since 1954

www.webstonevalves.com • P: (800) 225-9529 • F: (800) 336-5133

Webstone product specifications in U.S. customary units are approximate and are provided for reference only. Webstone reserves the right to change or modify product design, construction, specifications or materials without prior notice and without incurring any obligation to make such changes and modifications on Webstone products previously or subsequently sold.