

THIS SPACE FOR DESIGNER/ENGINEER APPROVAL

Job/Customer _____	Date _____	Contractor _____
Model Specified _____	Qty _____	Approved By _____
Designer/Engineer _____	Date _____	Contractor's PO# _____
Submitted By _____	Date _____	Other _____

0382 Series

Full Port PVC Ball Valves

Fits Schedule 40 & 80 Pipe

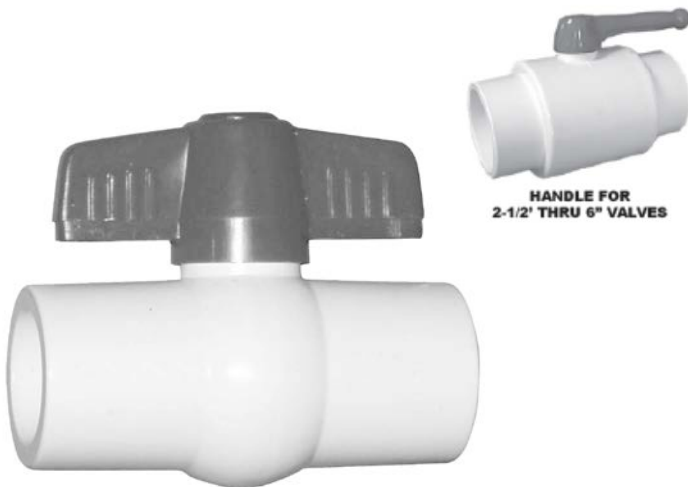
SOCKET ENDS

1/2" - 4": 230 PSI @ MAX TEMP 73.4°F

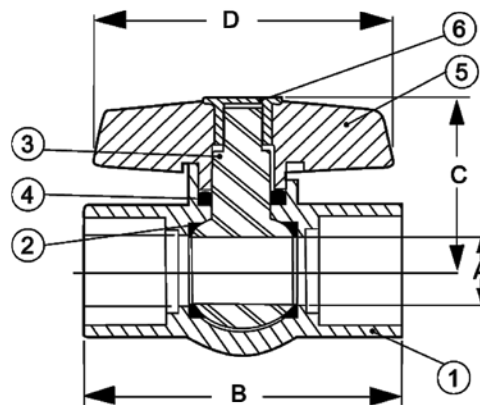
6": 90 PSI @ MAX TEMP 73.4°F

ISO 9001

ITEM #	SIZE	CTN	CASE	A	B	C	D
03822	1/2"	1	195	1/2	3 3/16	1 7/8	2 3/4
03823	3/4"	1	120	3/4	3 5/8	2 1/16	3 1/16
03824	1"	1	83	1	4	2 3/8	3 9/16
03825	1 1/4"	1	56	1 1/4	4 7/16	2 11/16	4 7/16
03826	1 1/2"	1	12	1 1/2	5 3/16	2 7/8	4 1/2
03827	2"	1	25	2	6 1/16	3 1/2	5 3/16
03828	2 1/2"	1	16	2 1/2	8 1/2	4 3/8	7 1/2
03829	3"	1	6	3	8 1/2	4 1/2	7 1/2
03830	4"	1	6	4	11 1/2	5 13/16	10 1/8
03831*	6"	1	1	6	15 3/4	7	11 3/8



NO.	DESCRIPTION	MATERIAL
1	BODY	PVC (WHITE)
2	SEATS	TPE
3	BALL/STEM	PVC
4	O-RING	FKM
5	HANDLE	ABS (RED)
6	HANDLE CAP	ABS (RED)



Specifications: Designed for residential or commercial use with water. This approved Webstone valve is actuated by a blowout proof stem. *6" valve is available in gray PVC only. All other sizes are in white as shown in the photos.



Quality and Commitment Since 1954

www.webstonevalves.com P: (800) 225-9529 F: (800) 336-5133

Webstone product specifications in U.S. customary units are approximate and are provided for reference only. Webstone reserves the right to change or modify product design, construction, specifications or materials without prior notice and without incurring any obligation to make such changes and modifications on Webstone products previously or subsequently sold.

0382spec_05132015