

THIS SPACE FOR DESIGNER/ENGINEER APPROVAL

Job/Customer _____	Date _____	Contractor _____
Model Specified _____	Qty _____	Approved By _____
Designer/Engineer _____	Date _____	Contractor's PO# _____
Submitted By _____	Date _____	Other _____

0372 Series

Full Port CPVC Ball Valves

Fits Schedule 40 & 80 CPVC Tubing

Socket Ends

230 PSI @ MAX TEMP 194°F

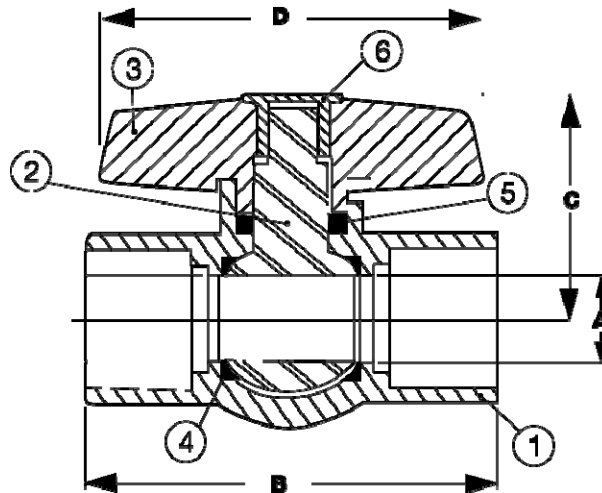
ISO 9001

ITEM #	SIZE	CTN	CASE	A	B	C	D
03722	1/2"	1	100	1/2	2 11/16	1 3/8	2 3/8
03723	3/4"	1	100	3/4	3 5/16	1 7/8	2 3/4
03724	1"	1	100	1	3 3/4	2 1/16	3 1/2
03725	1 1/4"	1	100	1 1/4	4 3/16	2 1/2	4
03726	1 1/2"	1	48	1 1/2	4 1/2	2 1/2	4
03727	2"	1	24	2	5 5/8	2 7/8	4 5/16



**Made w/
NSF Certified
Polymer**

NO.	DESCRIPTION	MATERIAL
1	BODY	CPVC (IVORY)
2	BALL/STEM	CPVC
3	TEE HANDLE	ABS (RED)
4	SEATS	TPE
5	O-RING	FKM
6	HANDLE CAP	ABS



Specifications: Designed for residential or commercial use with water. This approved Webstone valve is actuated by a blowout proof stem.

Webstone Company, Inc.
www.webstonevalves.com

Quality and Commitment Since 1954

Tel: (800) 225-9529 • Fax (800) 336-5133

Webstone product specifications in U.S. customary units are approximate and are provided for reference only. Webstone reserves the right to change or modify product design, construction, specifications or materials without prior notice and without incurring any obligation to make such changes and modifications on Webstone products previously or subsequently sold.

0372spec_120810