



## H-x110W Series

Dielectric Union  
Galvanized Steel & Forged DZR Brass  
w/ Nylon Insulator Ring

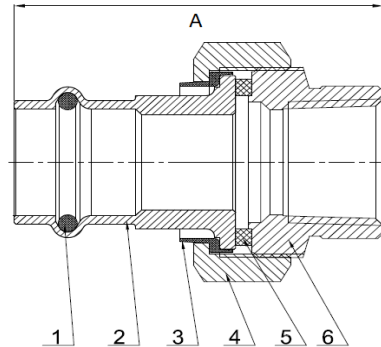


### Certifications

Certified to NSF/ANSI 61 & 372, PS117  
Lead-Free



NO.	DESCRIPTION	MATERIAL
1	O-Ring	EPDM
2	Press Fitting	Lead-Free DZR Brass
3	Insulator Ring	Nylon
4	Union Nut	Galvanized Steel
5	Gasket	EPDM
6	FIP Fitting	Galvanized Steel



Designed for residential, commercial or industrial use with water, oil, or glycol mix. PEX end dimensions comply with the referenced ASTM specification.

ITEM#	Connection Type	SIZE (in)	Max Temp	Pressure Rating	A
H-81102W	FIP × Press Union	1/2	180°F Max	250 PSI CWP Max	2.52
H-81103W	FIP × Press Union	3/4	180°F Max	250 PSI CWP Max	2.76
H-81104W	FIP × Press Union	1	180°F Max	250 PSI CWP Max	2.87