

THIS SPACE FOR DESIGNER/ENGINEER APPROVAL

Job/Customer _____	Date _____	Contractor _____
Model Specified _____	Qty _____	Approved By _____
Designer/Engineer _____	Date _____	Contractor's PO# _____
Submitted by _____	Date _____	Other _____

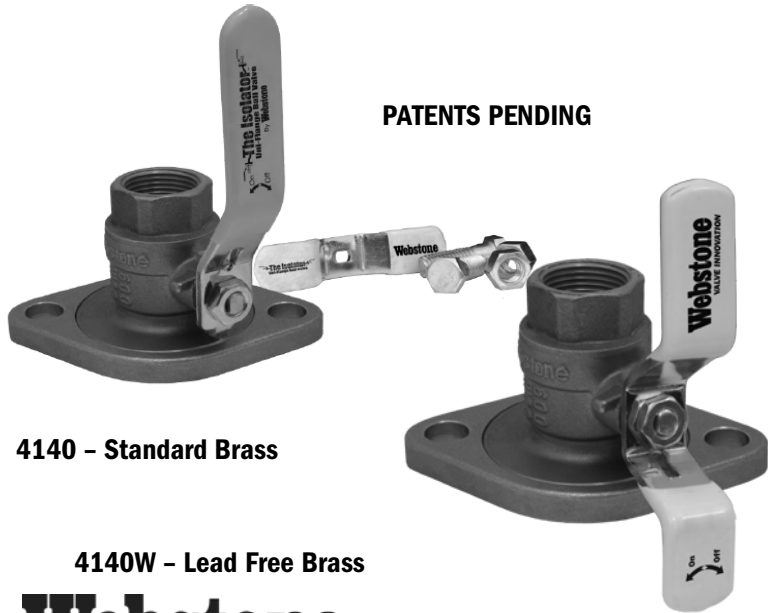
4140 Series
Full Port Forged Brass Uni-Flange Ball Valves
w/ Detachable Rotating Flange
& Adjustable Packing Gland
Bonus Wing Style "T" Handle*, Nuts & Bolts
IPS x Rotating Flange
600 WOG - ISO 9001



LEAD FREE
CLEAN BRASS
 THE CLEAR CHOICE FOR THE PROFESSIONAL

Lead free products are certified to NSF/ANSI 61 & NSF/ANSI 372

STANDARD BRASS ITEM # (SB)	LEAD FREE ITEM # (LF)	SIZE	CTN	CASE		A	B	C	D		E	F	G	H	I
				SB	LF				SB	LF					
41403	41403W	3/4"	2	20	20	3/4	2 3/8	2 13/16	3 7/8	4	7/16	1/2	1 1/2	2 11/16	4 1/8
41404	41404W	1"	2	20	20	1	3 1/16	2 5/8	4 11/16	4	7/16	1/2	1 1/2	2 11/16	4 1/8
41405	41405W	1 1/4"	2	20	20	1 1/4	3 1/4	2 15/16	4 11/16	5 3/4	7/16	1/2	1 1/2	2 11/16	4 1/8
41406	41406W	1 1/2"	2	20	10	1 1/2	4	3 1/2	5 5/8	5 3/4	7/16	1/2	1 1/2	2 11/16	4 1/8
HV MODELS FIT BOTH STANDARD & HIGH VELOCITY PUMPS															
41403HV	41403WHV	3/4"	2	20	20	3/4	2 3/8	2 13/16	3 7/8	4	7/16	5/8	1 1/2	2 11/16	4 1/8
41404HV	41404WHV	1"	2	20	20	1	3 1/16	2 5/8	4 11/16	4	7/16	5/8	1 1/2	2 11/16	4 1/8
41405HV	41405WHV	1 1/4"	2	20	20	1 1/4	3 1/4	2 15/16	4 11/16	5 3/4	7/16	5/8	1 1/2	2 11/16	4 1/8
41406HV	41406WHV	1 1/2"	2	20	10	1 1/2	4	3 1/2	5 5/8	5 3/4	7/16	5/8	1 1/2	2 11/16	4 1/8
--	41407WHV	2"	1	-	10	1 1/2	4	3 1/2		5 3/4	7/16	5/8	1 1/2	2 11/16	4 1/8



NO.	DESCRIPTION	MATERIAL
1	FLANGED BODY	BRASS
2	END CAP	BRASS
3	SEATS	PTFE
4	BALL	BRASS HCP
5	STEM	BRASS
6	STEM SEAL	PTFE
7	PACKING GLAND	BRASS
8	LEVER HANDLE	STEEL CP
9	WING STYLE "T" HANDLE	STEEL CP
10	HANDLE NUT	STAINLESS STEEL
11	HANDLE JACKET	VINYL
12	ROTATING FLANGE	BRASS
13	ROTATING FLANGE RING	STAINLESS STEEL
14	FLANGE BOLTS & NUTS	STEEL ZP

TEMP °F	PSI
100	600
150	485
200	395
250	210
300	N/A
350	N/A
366	N/A

4140 - Standard Brass

4140W - Lead Free Brass



Quality and Commitment Since 1954

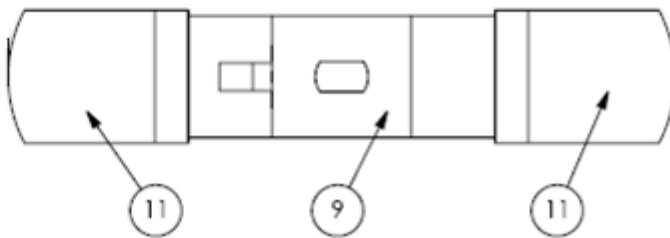
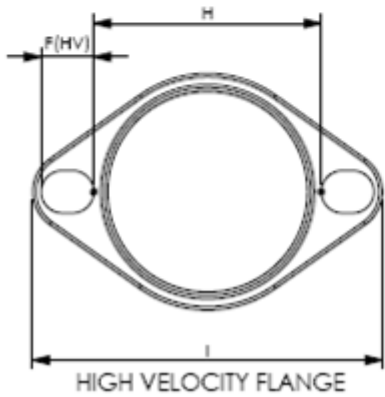
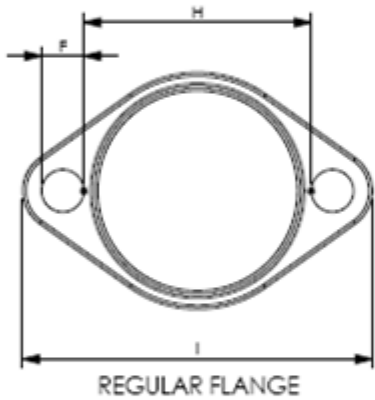
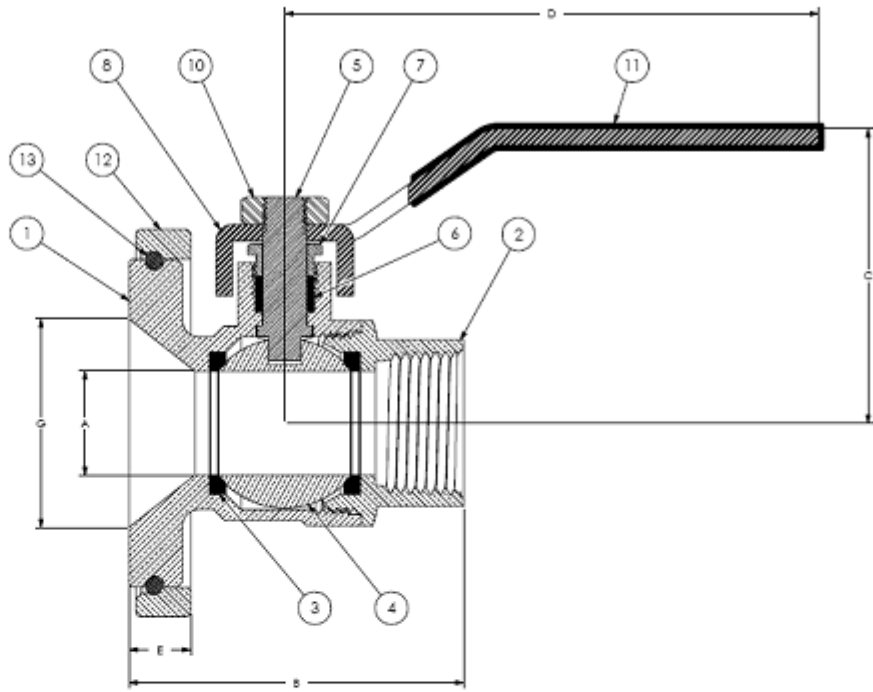
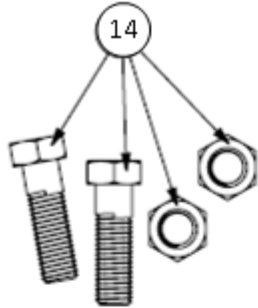
www.webstonevalves.com · P: (800) 225-9529 · F: (800) 336-5133

Webstone product specifications in U.S. customary units are approximate and are provided for reference only. Webstone reserves the right to change or modify product design, construction, specifications or materials without prior notice and without incurring any obligation to make such changes and modifications on Webstone products previously or subsequently sold.

4140-4140Wspec_031814

THIS SPACE FOR DESIGNER/ENGINEER APPROVAL

Job/Customer _____	Date _____	Contractor _____
Model Specified _____	Qty _____	Approved By _____
Designer/Engineer _____	Date _____	Contractor's PO# _____
Submitted by _____	Date _____	Other _____



Specifications: Designed for residential, commercial or industrial use with water or a glycol mixture. This approved Webstone valve is actuated by a blowout proof stem and features an adjustable packing gland. Flange features a conical inlet to minimize turbulence. The rotating flange is secured by a snug-fit snap-ring that provides greater control over positioning during installation. Threaded ends comply with ANSI B1.20.1. *Bonus wing style "T" handle included with standard brass products only.



Quality and Commitment Since 1954

www.webstonevalves.com · P: (800) 225-9529 · F: (800) 336-5133

Webstone product specifications in U.S. customary units are approximate and are provided for reference only. Webstone reserves the right to change or modify product design, construction, specifications or materials without prior notice and without incurring any obligation to make such changes and modifications on Webstone products previously or subsequently sold.